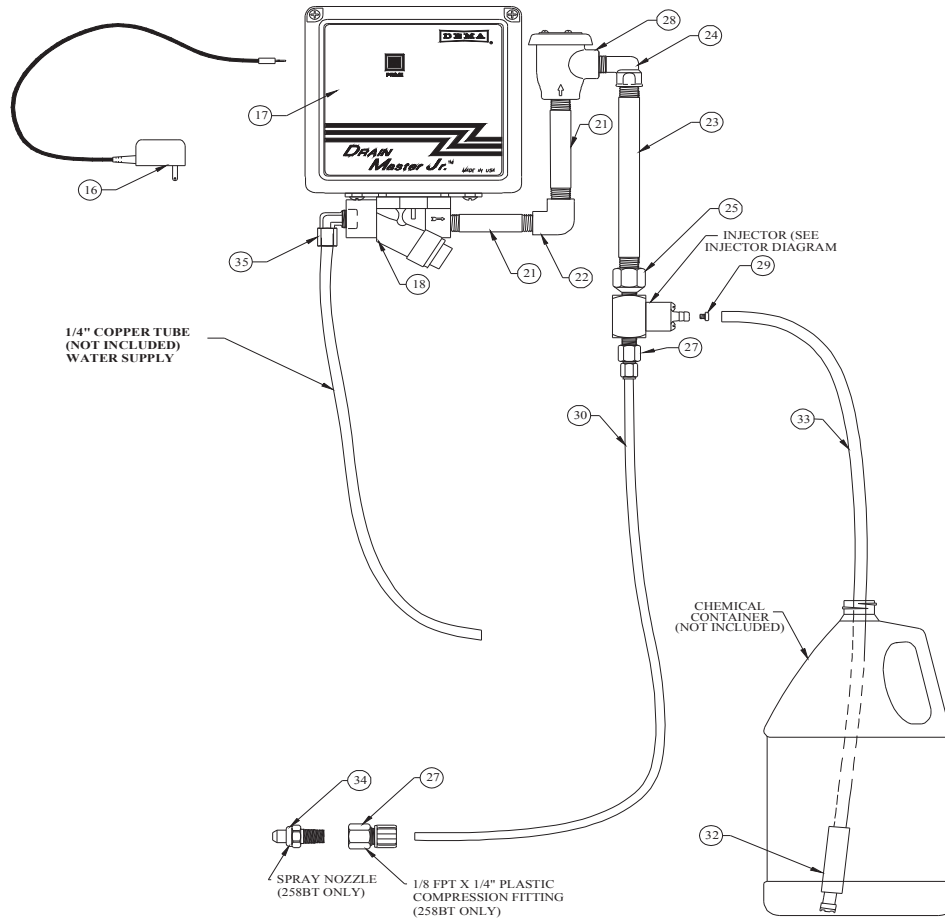
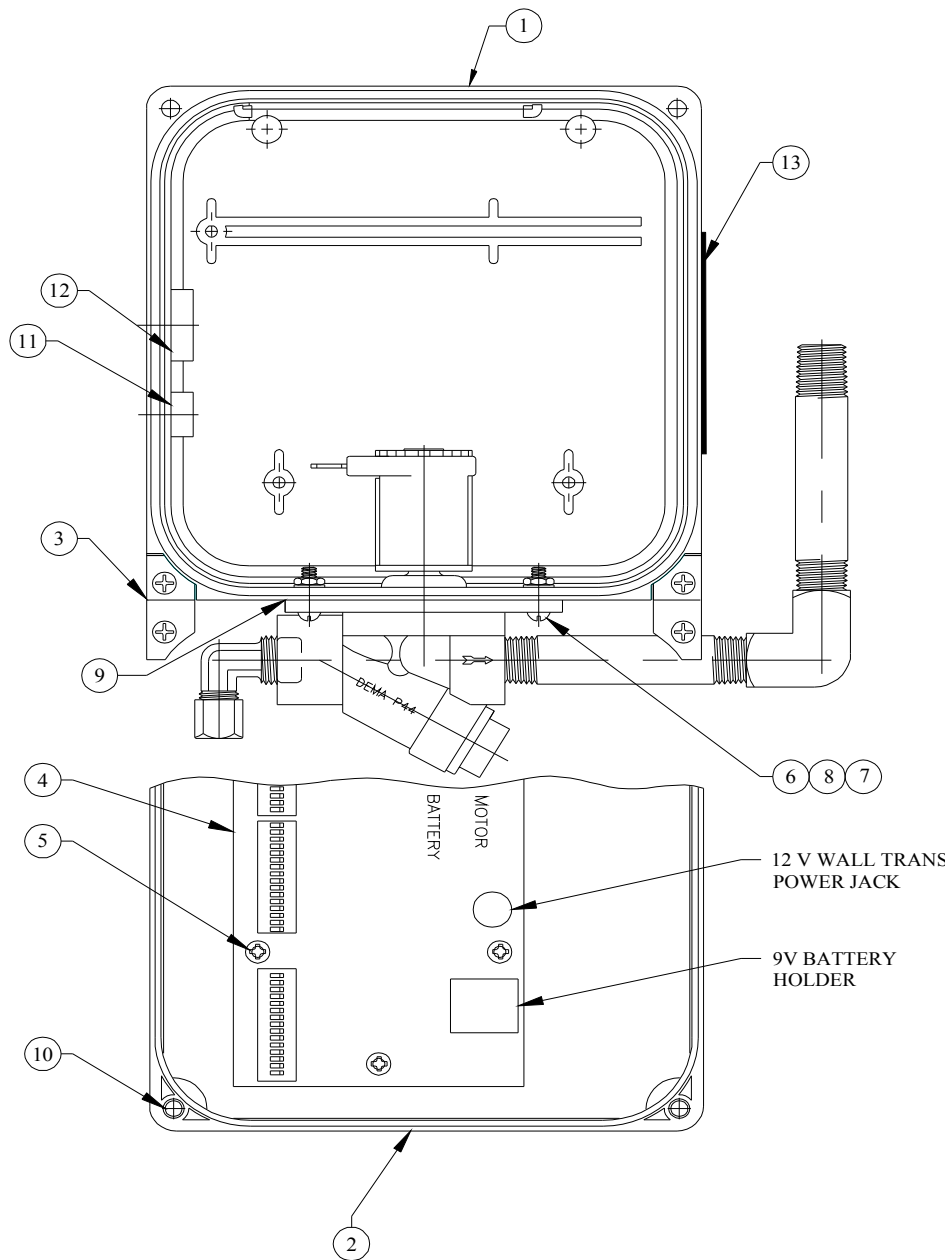


DEMA® 258BD-200C and 258BT-200C DRAIN MASTER Jr.



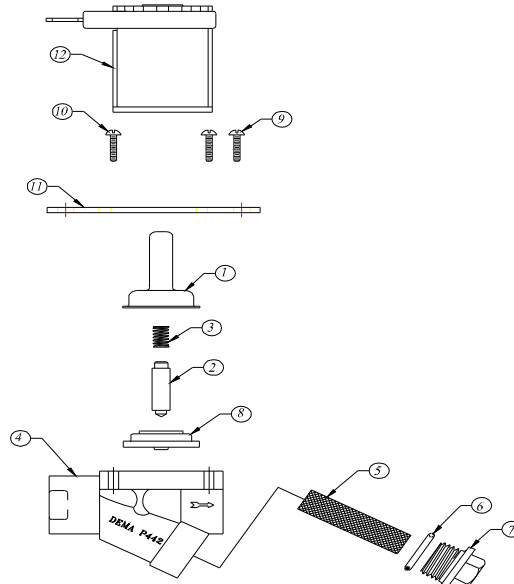
16	25.69.3	AC to DC Adapter (U.S., 120V 60Hz 1.2A)	1
17	L715.1	Drain Master Label	1
18	P442.PP3	Valve Assembly (See valve diagram for individual parts)	1
19	81.32.22	Black Cable Assembly	1
20	81.32.23	Red Cable Assembly	1
21	25.137.4	1/4" x 3" Long Schedule 40 Plated Brass Pipe	1
22	25.136.2	1/4" NPT Plated Brass Elbow	2
23	25.137.5	1/4" x 6" Long Schedule 40 Plated Brass Pipe	1
24	61.121	1/4" Street Elbow	1
25	25-53	1/4" x 1/8" pipe adapter	1
26	-----	See Injector Parts Chart and Diagram	-----
27	85-40-1	1/8" FPT x 1/4" Compression Fitting (Plastic)	1 - 258BD 2 - 258BT
28	58.11A	Vacuum Breaker Assy	1
29	100.15K	Metering Tip Kit	1
30	25.68.20	20 ft 1/4" LDPE Tubing	1
31	81.16.1	Tie Wrap	4
32	61.107.2	Ceramic Weight for 1/4" Vinyl Tubing	1
33	61.130.1	8ft Vinyl Tube with Foot Strainer Assembly	1
34	25.80.2	Spray Nozzle	1
35	58.54.4	1/4" MPT X 1/4" Comp. Elbow	1

DEMA[®] 258BD-200C and 258BT-200C DRAIN MASTER Jr.

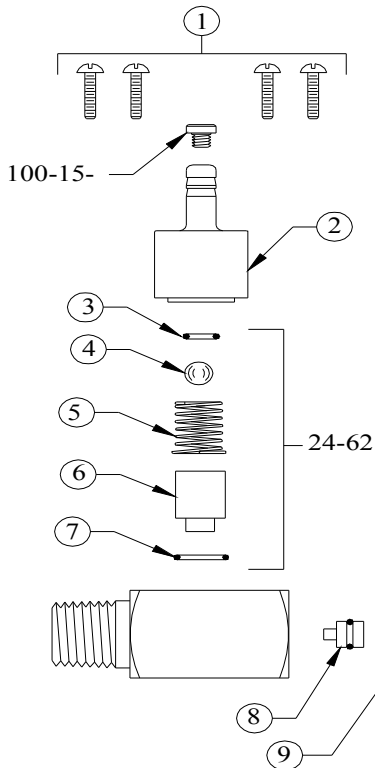


Item No.	DEMA Part No.	Description	Amount Required
1	81.40.2	Electrical Enclosure Assembly	1
2	85.41	Electrical Enclosure Cover	1
3	81.6	Electrical Enclosure Hinge Kit	2
4	25.122.1	Drain Master Electronic Control Board	1
5	81.20.2	Control Board Screw	3
6	44.124.2	#10-32 x 1/2" Screw	2
7	44.90	#10-32 Nut	2
8	44.29	Lock washer	2
9	25.91.C2.2	Valve Bracket Gasket	1
10	81.29.2	Captive Screw for Electrical Enclosure Cover	2
11	81.47.1	1/2" Hole Plug	1
12	25.124.4	Split Bushing	1
13	L732.1	Pump Blank Label	1

DEMA® 258BD-200C and 258BT-200C DRAIN MASTER Jr.



Valve Replacement Parts			
Item No.	DEMA Part No.	Description	Amount Required
1	41.7.25	Enclosing Tube	1
2	41.10.11	Plunger	1
3	41.1.8.3	Closing Spring	1
4	41.59.1	Valve Body	1
5	41.36.1	Strainer Screen	1
6	21.8	O-ring	1
7	41.60	Screen Cap	1
8	41.15.5	Diaphragm	1
9	44.116.1	#8 x 1/2" Hi-Lo Screw	2
10	44.116.2	#8 x 3/8" Hi-Lo Screw	1
11	81.102.2	Bracket	1
12	41.9.5.2	12VDC Coil Assembly	1



200C Injector Replacement Parts			
Item No.	DEMA Part No.	Description	Amount Required
1	24.33	Screws for Metering Knob	4
2	24.32T	Metering Knob	1
3	24.25	Check Valve O-ring	1
4	24.24P	Check Valve Ball	1
5	24.23	Check Valve Spring	1
6	24.34.2	Check Valve Core	1
7	25.29	Metering Knob O-ring	1
8	24.8.1	No. 1 Water Nozzle	1
9	24.31.1	Back Up Washer	1
10	24.92.1	200C Injector Body	1