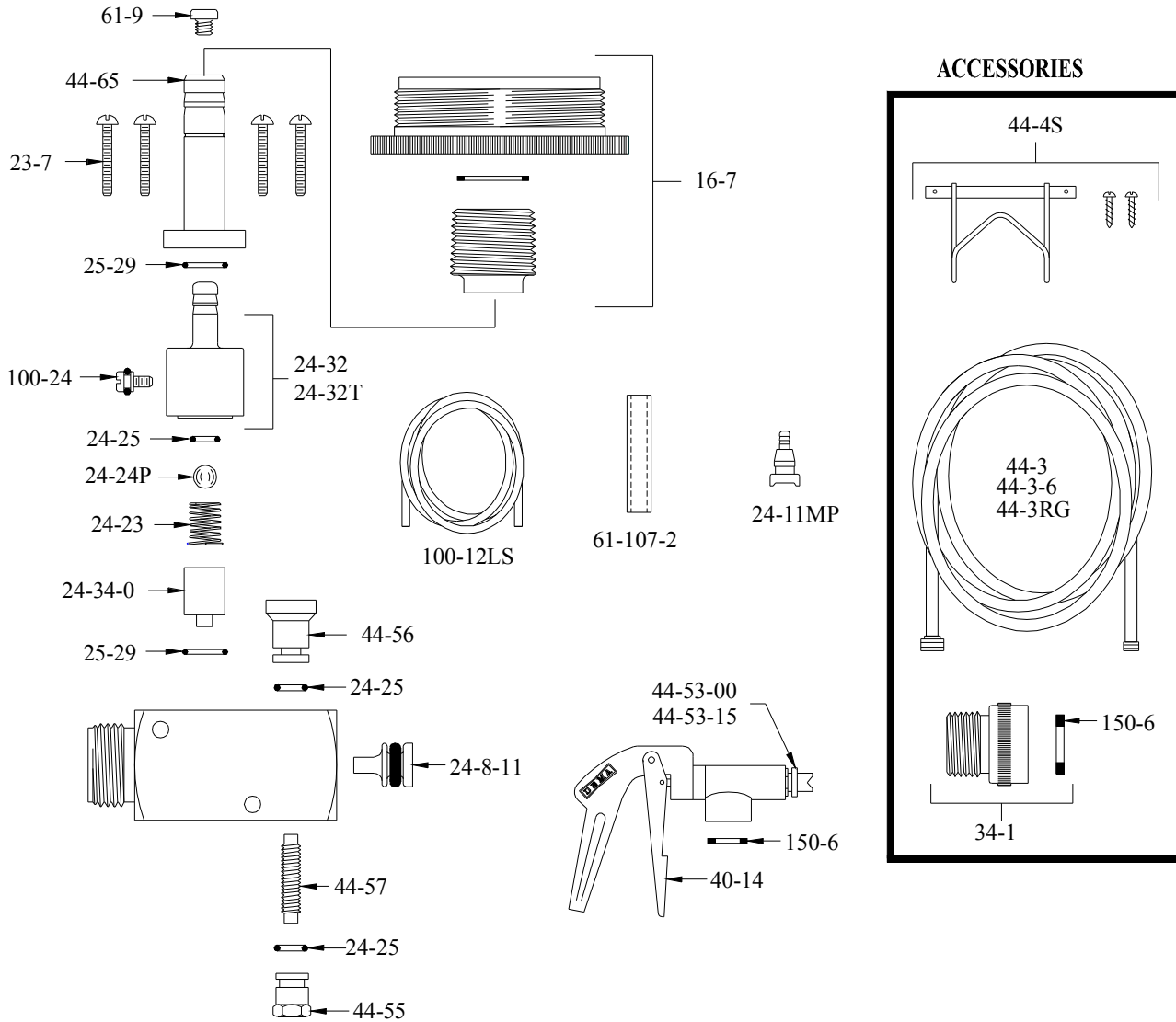


# DEMA SPRAY CLEAN

## MODELS: 244BCDM, 244BCDMT



PART NO.	DESCRIPTION
16-7	BUNG ASSEMBLY
23-7	SCREW - 4 REQ'D.
24-8-11	WATER NOZZLE
24-11MP	FOOT STRAINER
24-23	CHECK VALVE SPRING
24-24P	CHECK VALVE BALL
24-25	CHECK VALVE O-RING
24-32	METERING KNOB ASSEMBLY (MODEL 244BCDM)
24-32T	METERING KNOB ASSEMBLY (MODEL 244BCDMT)
24-34-0	CHECK VALVE CORE
25-29	METERING KNOB O-RING (2 REQ'D)
40-14	SPRAY GUN
44-53-00	SPRAY NOZZLE (0°) 4 GPM
44-53-05	SPRAY NOZZLE (15°) 4 GPM
44-55	BY-PASS VALVE (BOTTOM)

PART NO.	DESCRIPTION
44-56	BY-PASS VALVE (TOP)
44-57	CONNECTING STUD
44-65	DRUM NIPPLE
61-107-2	CERAMIC WEIGHT
61-9	METERING TIP-SPECIFY SIZE (MODEL 244CDMT)
100-12LS	3 1/2 FEET OF 3/8" I.D. VINYL TUBING
100-24	METERING SCREW W/ O-RING (MODEL 244CDM)
150-6	RUBBER WASHER

ACCESSORIES	
34-1	PIPE TO HOSE INLET ADAPTER W/ WASHER
44-3	25 FEET OF 1/2" HIGH PRESSURE HOSE
44-3-6	6 FEET OF 1/2" HIGH PRESSURE HOSE
44-4S	HOSE BRACKET W/ MOUNTING SCREWS
44-3RG	25' X 1/2" RED HOSE W/ POLY GUARDS