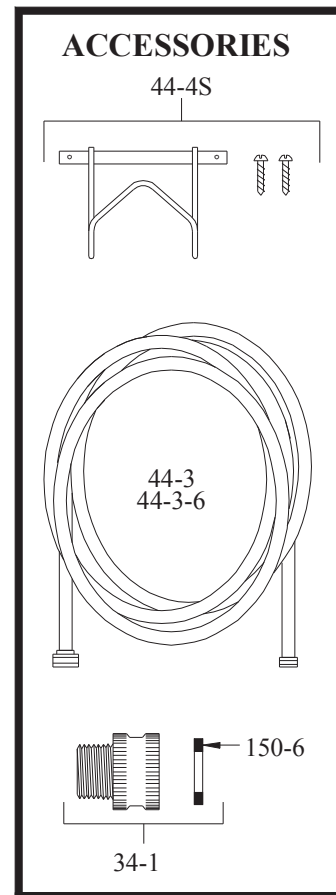
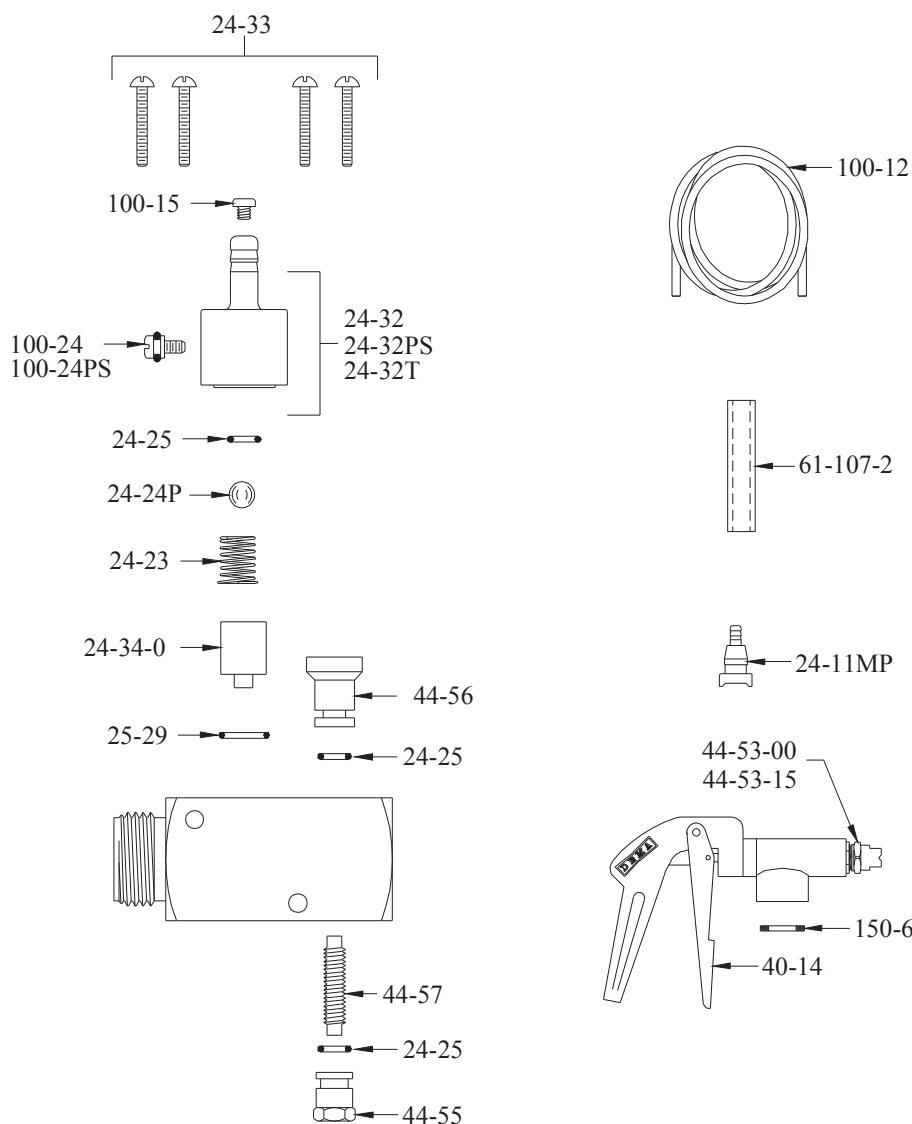


DEMA SPRAY CLEAN

MODELS: 244BC, 244BCE, 244BCP & 244BCT



PART NO.	DESCRIPTION
24-11MP	FOOT STRAINER
24-23	CHECK VALVE SPRING
24-24P	CHECK VALVE BALL
24-25	CHECK VALVE O-RING
24-32	METERING KNOB ASSEMBLY (MODEL 244C,CE)
24-32PS	METERING KNOB ASSEMBLY (MODEL 244CP)
24-32T	METERING KNOB ASSEMBLY (MODEL 244CT)
24-33	SCREW - 4 REQ'D.
24-34-0	CHECK VALVE CORE
25-29	METERING KNOB O-RING
40-14	SPRAY GUN
44-53-00	SPRAY NOZZLE (0°) 4 GPM
44-53-15	SPRAY NOZZLE (15°) 4 GPM
44-55	BY-PASS VALVE (BOTTOM)

PART NO.	DESCRIPTION
44-56	BY-PASS VALVE (TOP)
44-57	CONNECTING STUD
61-107-2	CERAMIC WEIGHT
100-12	8 FEET OF 7/32" I.D. PVC TUBING
100-15	METERING TIP-SPECIFY SIZE (MODEL 244BCT)
100-24	METERING SCREW W/ O-RING (MODEL 244BCE)
100-24PS	METERING SCREW W/ O-RING (MODEL 244BCP)
150-6	RUBBER WASHER

ACCESSORIES

34-1	PIPE TO HOSE INLET ADAPTER W/WASHER
44-3	25 FEET OF 1/2" HIGH PRESSURE HOSE
44-3-6	6 FEET OF 1/2" HIGH PRESSURE HOSE
44-3RG	25' X 1/2" RED HOSE W/POLY GUARDS
44-4S	HOSE BRACKET W/ MOUNTING SCREWS