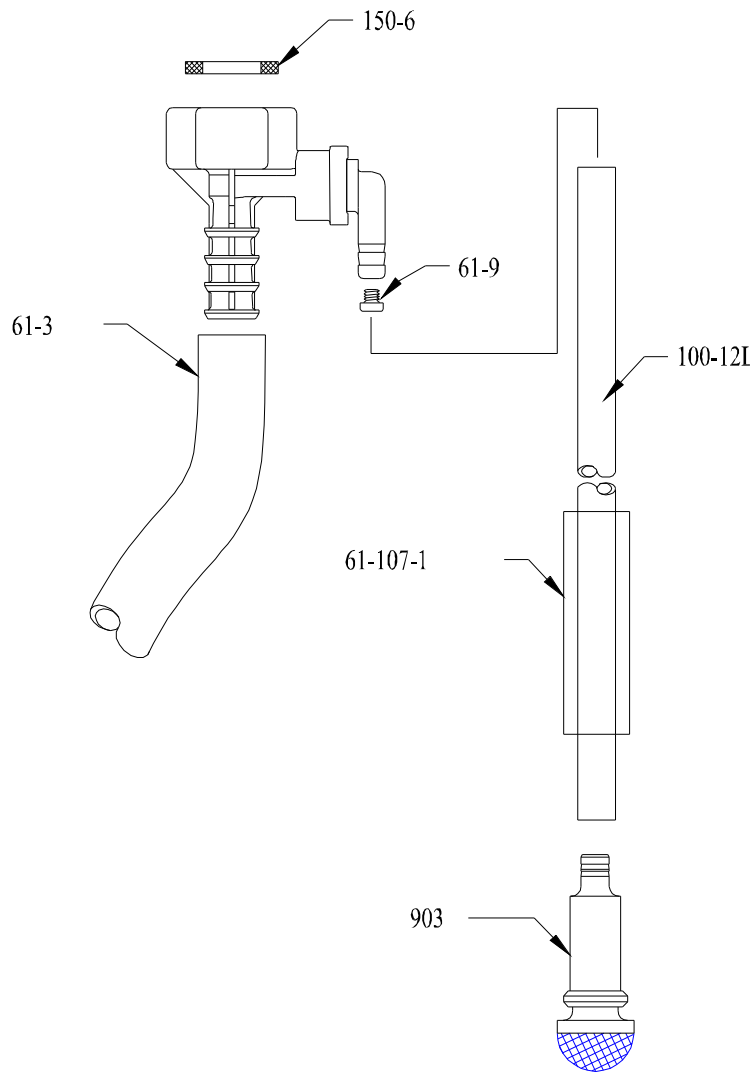


MA 163CH HIGH CAPACITY PROPORTIONEI



PART NO.	DESCRIPTION
100-12L	VINYL TUBE (3/8" ID X 8' LG.)
61-3	VINYL TUBE (1/2 ID X 3' LG.)
150-6	GARDEN HOSE RUBBER WASHER
61-107-1	CERAMIC WEIGHT
903	FOOT VALVE (FOR 163H)

ACCESSORIES

61-9	METERING TIP (SPECIFY COLOR)
------	------------------------------