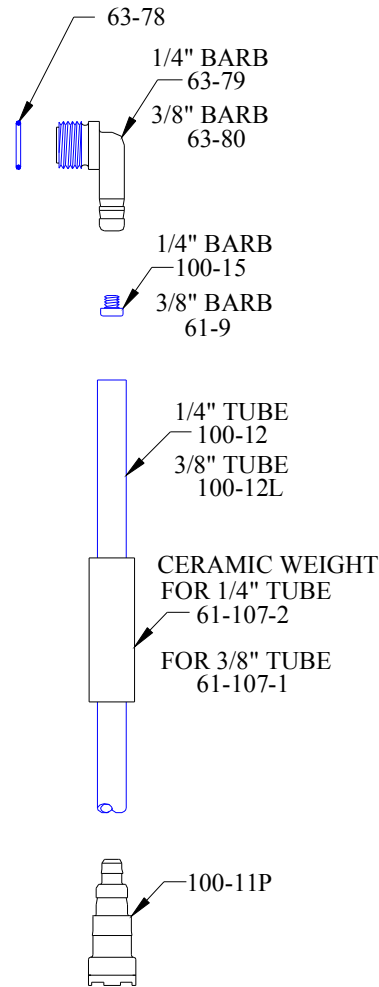
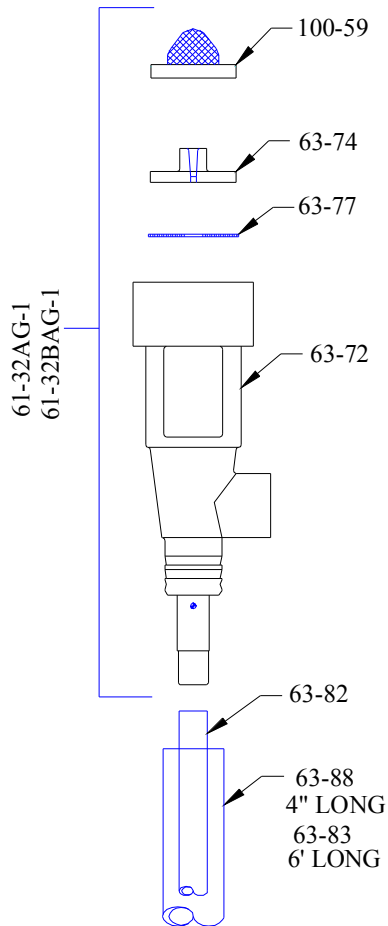


DEMA AIR GAP PROPORTIONER

MODEL 164AG (1 GPM)



MODEL 163AG (4-GPM)

PART NO.	DESCRIPTION
61-22AG-4	4 GPM (3/8" BARB) PROPORTIONER
61-22BAG-4	4 GPM (1/4" BARB) PROPORTIONER
61-32AG-1	1 GPM (3/8" BARB) PROPORTIONER
61-32BAG-1	1 GPM (1/4" BARB) PROPORTIONER
61-107-1	CERAMIC WEIGHT (FOR 3/8" TUBE)
61-107-2	CERAMIC WEIGHT (FOR 1/4" TUBE)
63-71	PROPORTIONER BODY (4 GPM)
63-72	PROPORTIONER BODY (1 GPM)
63-73	NOZZLE (4 GPM)
63-74	NOZZLE (1 GPM)
63-76	SCREEN (4 GPM)

PART NO.	DESCRIPTION
63-77	SCREEN (1 GPM)
63-78	O-RING
63-79	INLET BARB (1/4" BARB)
63-80	INLET BARB (3/8" BARB)
63-82	VINYL TUBE (3/16" I.D. X 7" LG.)
63-83	VINYL TUBE (9/16 I.D. X 6' LG.)
63-88	VINYL TUBE (9/16" I.D. X 4" LG.)
100-11P	FOOT VALVE
100-12	VINYL TUBE (1/4 I.D. X 8' LG.)
100-12L	VINYL TUBE (3/8" I.D. X 8' LG.)
100-59	STRAINER WASHER

ACCESSORIES	61-9K	METERING TIP KIT-15 SIZES (3/8" BARB)
	100-15K	METERING TIP KIT-14 SIZES (1/4" BARB)