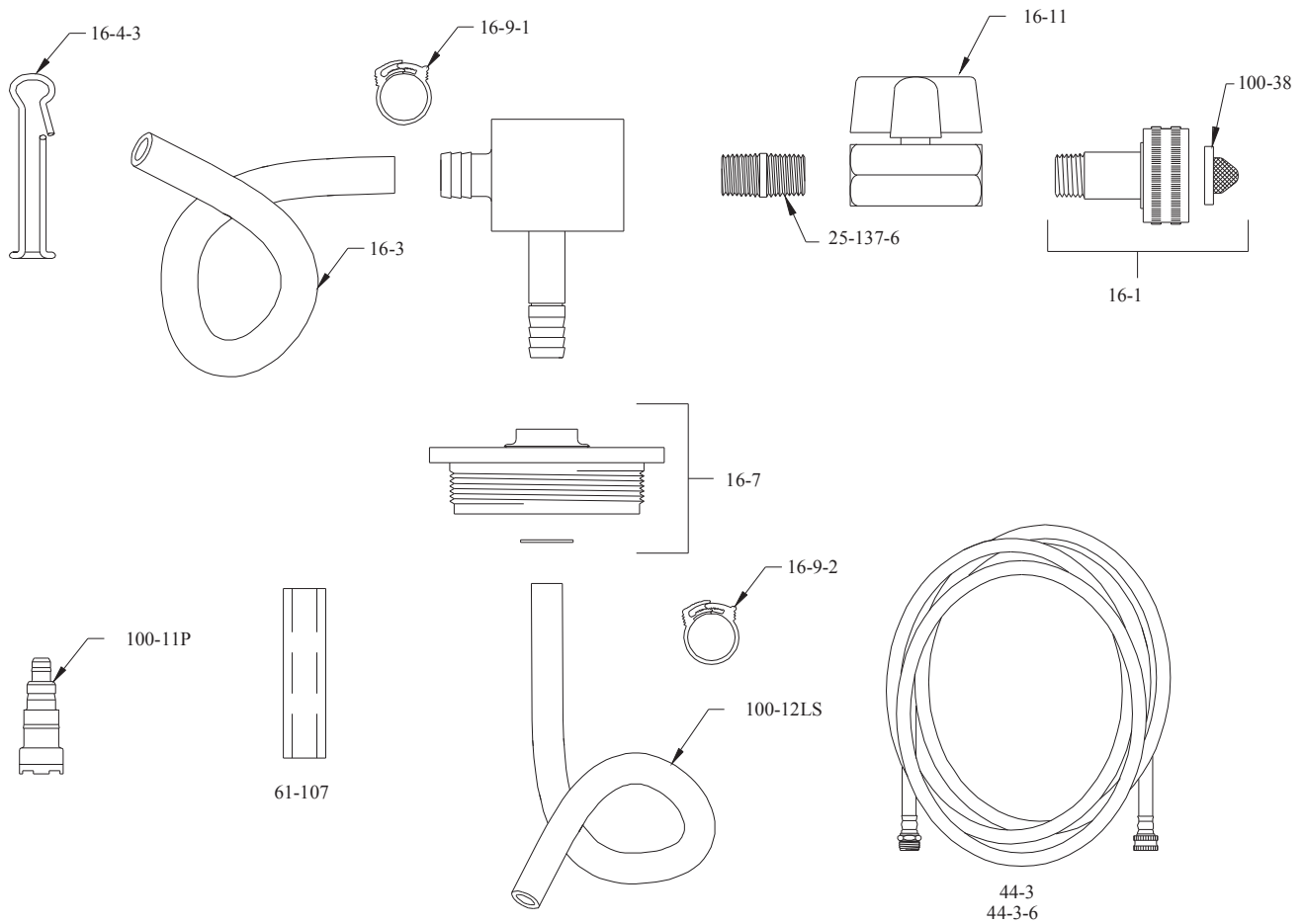


DEMA MODEL 162HC

DRUM MOUNT PROPORTIONER



PART NO.	DESCRIPTION
16-1	COUPLING & STRAINER WASHER
16-3	OUTLET TUBING, 1 1/16 O.D. X 3' LG
16-4-3	OUTLET TUBING HANGER
16-7	BUNG TOP & RETAINER RING
16-9-1	TUBING CLAMP, PLASTIC, SMALL
16-9-2	TUBING CLAMP, PLASTIC, LARGE
16-11	1/4" NPT BALL VALVE
25-137-6	1/4" NPT PIPE NIPPLE

PART NO.	DESCRIPTION
61-107	CERAMIC WEIGHT, 1/2" O.D. TUBING
100-11P	FOOT VALVE
100-12LS	SUPPLY TUBING, 1/2" O.D. X 3 1/2' LG.
100-38	STRAINER WASHER

ACCESSORIES

44-3	RUBBER HOSE, 1/2" I.D. X 25 FT.
44-3-6	RUBBER HOSE, 1/2" I.D. X 6 FT.