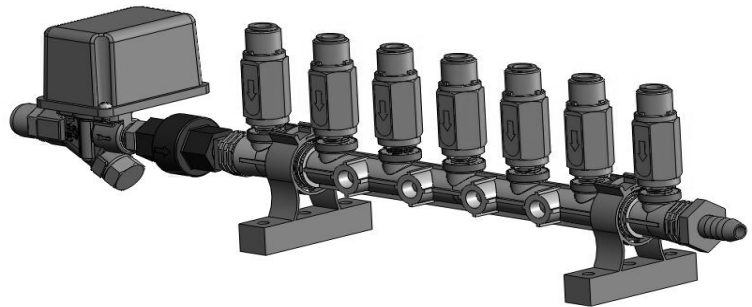
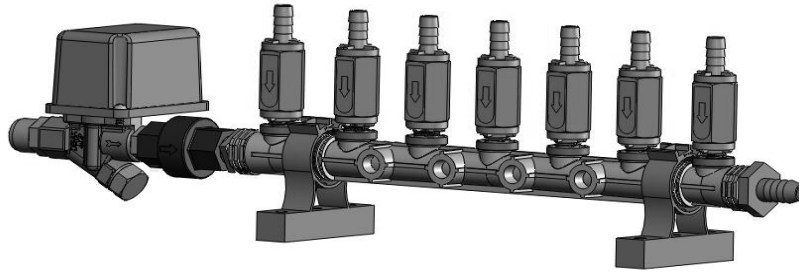


DEMA 951 FLUSH MANIFOLD WITH 24V DC VALVE INSTALLATION INSTRUCTIONS



System Overview

The DEMA 951 Flush Manifold is designed for long reliable use with simplicity and adaptability in mind. The 951 Flush Manifold can be added to the DEMA Atlas 844P, and DEMA Laundry Master Models 842, 844, 845, and 846 in order to reduce the number of chemical feed tubes to the washer. The flush manifold with valve consists of a water inlet connection, 24V DC solenoid valve, check valve, manifold, and an optional number of chemical inlet check valves to prevent the mixing of various laundry chemicals. Four additional ports have been added, and can be easily accessed by simply drilling and tapping.

The following flush manifold models with valves are available with various pump connections:

<u>Model</u>	<u>Chemical Inlet Fitting</u>	<u># of Inlet Fittings</u>
951-3B-V	3/8" Barb Fitting	3
951-4B-V	3/8" Barb Fitting	4
951-5B-V	3/8" Barb Fitting	5
951-6B-V	3/8" Barb Fitting	6
951-7B-V	3/8" Barb Fitting	7
951-3P-V	3/8" Push Fitting	3
951-4P-V	3/8" Push Fitting	4
951-5P-V	3/8" Push Fitting	5
951-6P-V	3/8" Push Fitting	6
951-7P-V	3/8" Push Fitting	7
951-3P-P14-V	1/4" Push Fitting	3
951-4P-P14-V	1/4" Push Fitting	4
951-5P-P14-V	1/4" Push Fitting	5
951-6P-P14-V	1/4" Push Fitting	6
951-7P-P14-V	1/4" Push Fitting	7

DEMA 951 FLUSH MANIFOLD WITH 24V DC VALVE INSTALLATION INSTRUCTIONS

<u>Model</u>	<u>Chemical Inlet Fitting</u>	<u># of Inlet Fittings</u>
951-3P-P-V	3/8" Push Fitting	3
951-4P-P-V	3/8" Push Fitting	4
951-5P-P-V	3/8" Push Fitting	5
951-6P-P-V	3/8" Push Fitting	6
951-7P-P-V	3/8" Push Fitting	7

Note: The flush manifold does not have an approved backflow preventer that protects the potable water system from contamination. Be sure to have a licensed plumber or tradesperson install a backflow prevention system that complies with all local plumbing codes.

Laundry Room Survey

Survey the laundry room or installation site before installing the Flush Manifold.

1. Select location to mount the Flush Manifold on a wall that will allow close access to the water supply, the chemical pumping unit, and the flush line feed into the laundry machine.
2. Mount the Flush Manifold on a wall by use of the screws and wall anchors that are included. Evaluate the wall condition to assure that the supplied wall anchors are suitable, it may be necessary to use other hardware to mount the Flush Manifold properly. Screws included are 1-1/4" long. If mounting on drywall longer screws may be necessary.
3. Evaluate where and how you will connect the 24V DC power source to the solenoid valve so that it will have an activation signal.

Electrical installation:

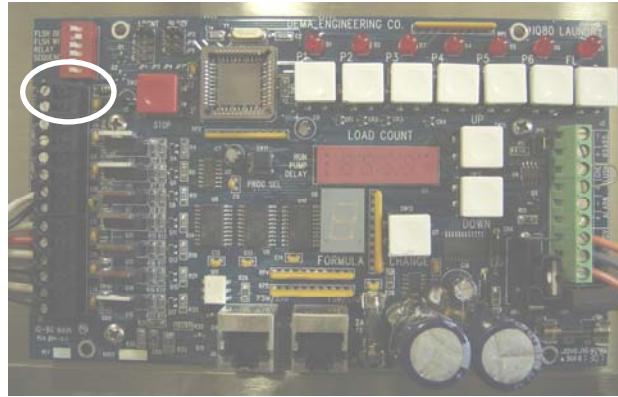
There are four main types of electrical connections that we will go over. Those types are the DEMA IQ-80, DEMA IQ-85, DEMA IQ-85AC, and other electrical boards that may be used. We will go over each type of board show the proper connection for each board. **Please remember that all electrical work should be done according to all city, county, state or provincial electrical codes and should be performed by a certified electrician. For questions, please contact a local licensed electrical contractor.**

For each of the different boards there will be a different connection point for the solenoid valve so that it will operate correctly. The valve is a normally closed valve and the activation of the valve will allow the water to flow through the flush manifold and pick up the chemical and carry the chemical to the laundry unit.

IQ-80

On the IQ-80 board, along the left side of the board, there is a terminal strip on which to land wires. The top two terminals on the strip are labeled flush and this is where the wires that go to the valve would be landed on the board. This will send the 24V DC signal to the valve to activate it.

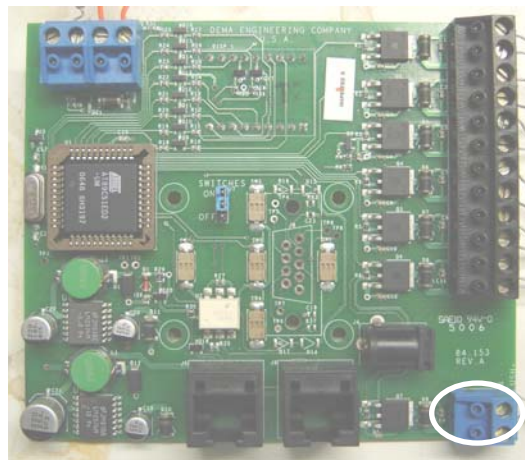
DEMA 951 FLUSH MANIFOLD WITH 24V DC VALVE INSTALLATION INSTRUCTIONS



For further notes on programming the valve with the flush manifold, consult the instruction sheet for the IQ-80 control board available from DEMA Engineering.

IQ-85

On the IQ-85 board, along the right side of the board, there is a terminal strip on which to land wires. The bottom two terminals on the strip are labeled either pump 7 or flush and this is where the wires that go to the valve would be landed on the board. This will send the 24V DC signal to the valve to activate it.

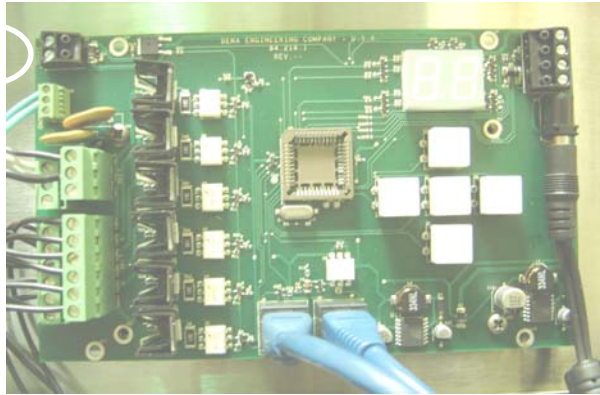


For further notes on programming the valve with the flush manifold, consult the instruction sheet for the IQ-85 control board available from DEMA Engineering.

IQ-85 AC

On the IQ-85 AC board, along the left side of the board, there is a 2 wire terminal strip on top on which to land wires. The two terminals on the strip are labeled flush and this is where the wires that go to the valve would be landed on the board. This will send the 24V DC signal to the valve to activate it.

DEMA 951 FLUSH MANIFOLD WITH 24V DC VALVE INSTALLATION INSTRUCTIONS



For further notes on programming the valve with the flush manifold, consult the instruction sheet for the IQ-85 AC control board available from DEMA Engineering.

For all other boards

For all other boards, you will want to consult the instruction manual for the board to see where a 24V DC signal could be received from. Then connect in the proper place.

Tubing Connections

Always wear protective clothing and eyewear when working with chemicals. For safety reasons, avoid mixing hazardous chemicals together.

Measure the length of tubing needed for chemical injection from the pump to the flush manifold and cut to the proper length.

Caution: Keep tubing away from hot surfaces and sharp edges to prevent damage or leakage.

Push Connect Chemical Inlet Fitting

Push LDPE tubing straight into fitting until it bottoms out. Give a firm tug to confirm a secure connection. Connect the other end of the tubing to the dispensing side of the pump.

Chemical Inlet for Barb Fitting

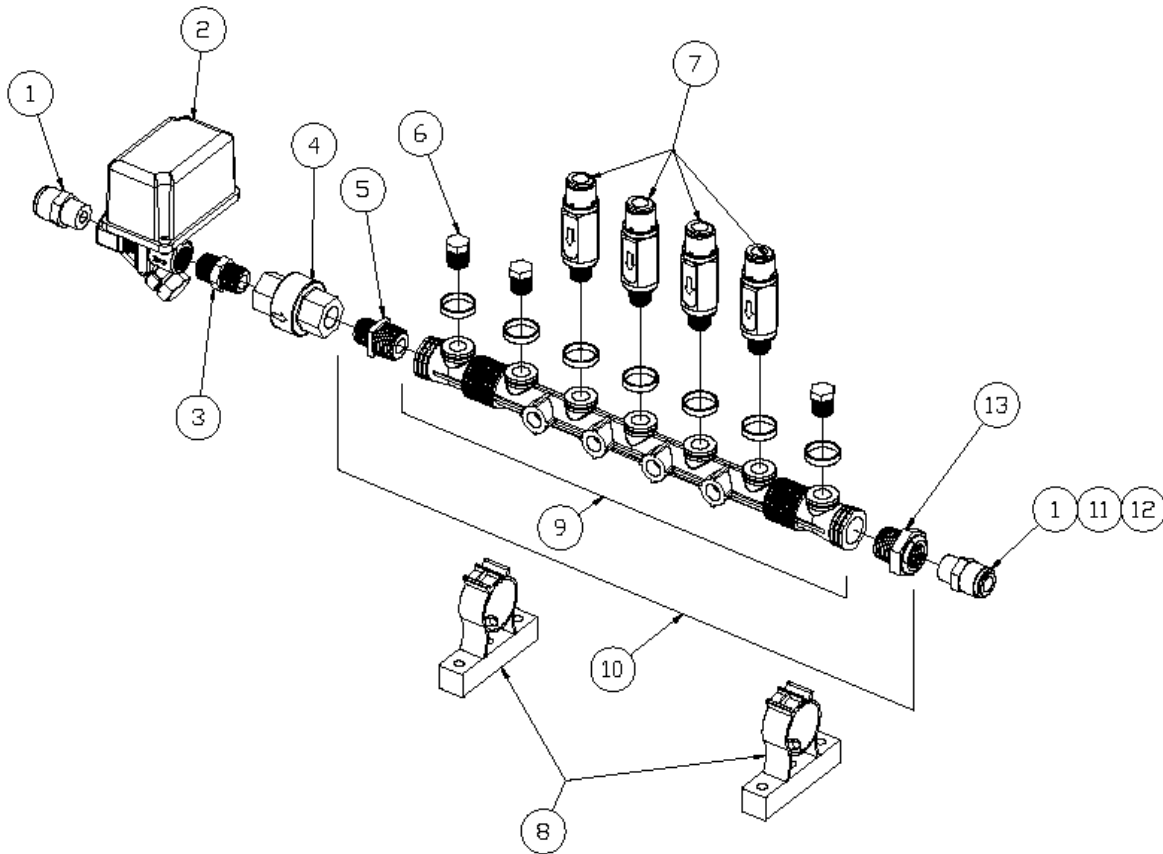
Feed the tubing through the hose clamp and on to the barb fitting. Squeeze the hose clamp together using a pair of pliers to tighten. Connect the other end of the tubing to the dispensing side of the pump.

Manifold Outlet

Using a hose clamp, secure 1/2" I.D. hose on to the barb fitting. Route the tubing to the injection point at the laundry machine.

At this point the installation should be complete. For further programming, consult the instruction sheets for the units being used. Thank you for purchasing the DEMA 951 Flush Manifold with Valve to add to the laundry system you are currently using. If you have any questions, please contact DEMA Technical Customer Service at 1-800-325-3362.

DEMA 951 FLUSH MANIFOLD WITH 24V DC VALVE INSTALLATION INSTRUCTIONS



NO.	PART NO.	DESCRIPTION
1	58-103-5	¼" Push Conn. X 3/8" MNPT
2	95-18-3	442P Valve 24V DC
3	95-24	Polypropylene Hex Nipple
4	95-23	Check Valve
5	95-28	3/8" x ½" NPT Reducing Nipple
6	95-27	¼" NPT Plug
7	95-25-1	3/8" Barb x ¼" NPT check valve
	95-25-2	1/4" Push x ¼" NPT check valve
	95-25-3	3/8" Push x ¼" NPT check valve
8	95-22	¾" Clamps
9	95-33	Flush Manifold w/ S.S. Rings
10	95-33-1	Flush Manifold w/ S.S. Rings and Fittings
11	66-119-19	3/8" NPT x ½" Barb
12	58-103.4	3/8" Push Conn. X 3/8" MNPT
13	95.34	Reducing Bushing
14	81-196-8	4ft Cable Assembly

DEMA 951 FLUSH MANIFOLD WITH 24V DC VALVE INSTALLATION INSTRUCTIONS

Return Policy and Warranty

Return Policy: No merchandise may be returned for credit without DEMA Engineering Company's written permission. Return Merchandise Authorization (RMA) number required in advance of return.

Warranty: DEMA products are warranted against defective material and workmanship under normal use and service for one year from the date of manufacture. This limited warranty does not apply to any products which have a normal life shorter than one year or failure and damage caused by chemicals, corrosion, improper voltage supply, physical abuse or misapplication. Rubber and synthetic rubber parts such as "O"-rings, diaphragms, squeeze tubing and gaskets are considered expendable and are not covered under warranty. This warranty is extended only to the original buyer of DEMA products. If products are altered or repaired without prior approval of DEMA, this warranty will be void.

Defective units or parts should be returned to the factory with transportation prepaid. If inspection shows them to be defective, they will be repaired or replaced without charge. F.O.B. factory DEMA assumes no liability for damages. Return merchandise authorization number to return units for repair or replacement must be granted in advance of return.