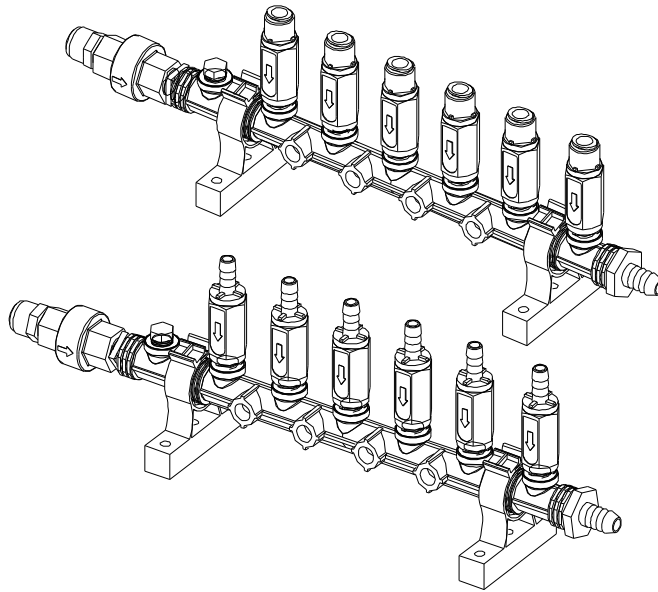


DEMA 951 FLUSH MANIFOLD

INSTALLATION INSTRUCTIONS



System Overview

The DEMA 951 Flush Manifold is designed for long reliable use with simplicity and adaptability in mind. The 951 Flush Manifold can be added to the DEMA Atlas 844P, and DEMA Laundry Master Models 842, 844, and 845 in order to reduce the number of chemical feed tubes to the washer.

The flush manifold consists of a water inlet connection, check valve, manifold, and an optional number of chemical inlet check valves to prevent the mixing of various laundry chemicals. Four additional ports have been added, and can be easily accessed by simply drilling and tapping

The following flush manifold models are available with various pump connections:

<u>Model</u>	<u>Chemical Inlet Fitting</u>	<u># of Inlet Fittings</u>
951-3B	3/8" Barb Fitting	3
951-4B	3/8" Barb Fitting	4
951-5B	3/8" Barb Fitting	5
951-6B	3/8" Barb Fitting	6
951-7B	3/8" Barb Fitting	7
951-3P	3/8" Push Fitting	3
951-4P	3/8" Push Fitting	4
951-5P	3/8" Push Fitting	5
951-6P	3/8" Push Fitting	6
951-7P	3/8" Push Fitting	7

Note: The flush manifold does not have an approved backflow preventer that protects the potable water system from contamination. Be sure to have a licensed plumber or tradesperson install a backflow prevention system that complies with all local plumbing codes.

Please read instructions before proceeding with Flush Manifold installation.

DEMA 951 FLUSH MANIFOLD

INSTALLATION INSTRUCTIONS

Laundry Room Survey

Survey the laundry room or installation site before installing the Flush Manifold.

1. Select location to mount the Flush Manifold on a wall that will allow close access to the water supply, the chemical pumping unit, and the flush line feed into the laundry machine.
2. Mount the Flush Manifold on a wall by use of the screws and wall anchors that are included. Evaluate the wall condition to assure that the supplied wall anchors are suitable, it may be necessary to use other hardware to mount the Flush Manifold properly. Screws included are 1-1/4" long. If mounting on drywall longer screws may be necessary.

Tubing Connections

ALWAYS WEAR PROTECTIVE CLOTHING AND EYEWEAR WHEN WORKING WITH CHEMICALS. FOR SAFETY REASONS, AVOID MIXING HAZARDOUS CHEMICALS TOGETHER.

Measure the length of tubing needed for chemical injection from the pump to the flush manifold and cut to the proper length.

Caution: Keep tubing away from hot surfaces and sharp edges to prevent damage or leakage.

Push Connect Chemical Inlet Fitting

Push LDPE tubing straight into fitting. 3/8" tubing will go in 1", and 1/4" tubing will go into fitting 5/8". Give a firm tug to confirm a secure connection. Connect the other end of the tubing to the dispensing side of the pump.

Chemical Inlet for Barb Fitting

Feed the tubing through the hose clamp and on to the barb fitting. Squeeze the hose clamp together using a pair of pliers to tighten. Connect the other end of the tubing to the dispensing side of the pump.

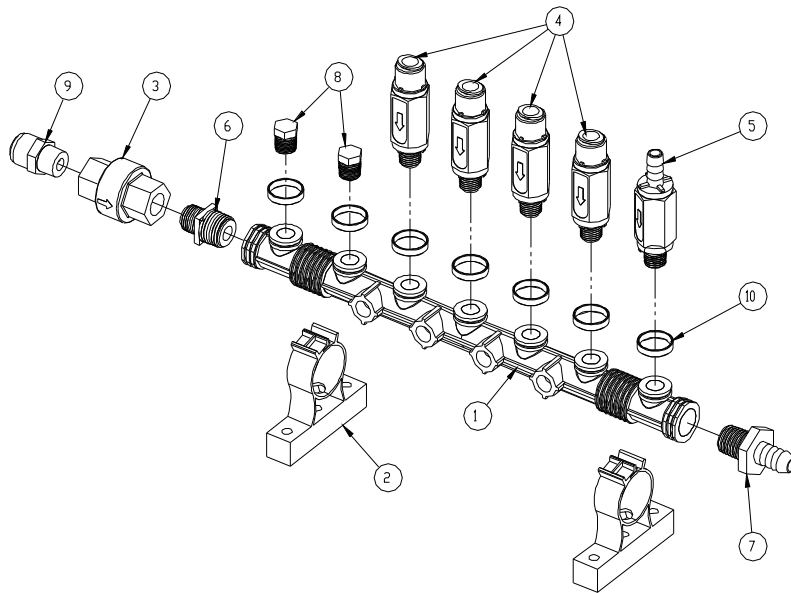
Manifold Outlet

Using a hose clamp, secure 1/2" I.D. hose on to the barb fitting. Route the tubing to the injection point at the laundry machine.

At this point, the Flush Manifold installation is complete. For programming, refer to the Laundry Dispenser installation manual.

DEMA 951 FLUSH MANIFOLD

INSTALLATION INSTRUCTIONS



Universal Component Description and Packing Chart

NO.	NOT SHOWN	PART NO.	DESCRIPTION	PUSH CONN. CHEM. INLETS	BARB CHEM. INLETS
1		95-19	Manifold-Injection Molded	X	X
2		95-22	3/4" Clamps	X	X
3		95-23	Check Valve	X	X
4		95-25-3	3/8" Push X 1/4" NPT Check Valve	X	
5		95-25-1	3/8" Barb X 1/4" NPT Check Valve		X
6		95-28	3/8" X 1/2" NPT Reducing Nipple	X	X
7		66-119-20	1/2" NPT X 1/2" Barb	X	X
8		95-27	1/4" NPT Plug	*X	*X
9		58-103-5	1/4" Push Conn. X 3/8" MNPT	X	X
10		29-17-7	Reinforcement Ring	X	X
	X	66.98.11	3/8" Braided Hose		X
	X	25.115	3/8" O.D. LDPE Tubing	X	X
	X	25.68.10	1/4" O.D. LDPE Tubing	X	X
	X	16.9	Hose Clamp – 3/4"	X	X
	X	I-946	Instruction Sheet	X	X
	X	66.123	Screw & Anchor Kit	X	X
	X	16.9.2	Hose Clamp 19/32"		X
	X	95.33	Manifold w/SS rings installed	X	X

* All unused ports will contain plug

DEMA 951 FLUSH MANIFOLD

INSTALLATION INSTRUCTIONS

Return Policy and Warranty

Return Policy

No merchandise may be returned for credit without DEMA Engineering Company's written permission. Return Merchandise Authorization (RMA) number required in advance of return.

Warranty

DEMA products are warranted against defective material and workmanship under normal use and service for one year from the date of manufacture. This limited warranty does not apply to any products which have a normal life shorter than one year or failure and damage caused by chemicals, corrosion, improper voltage supply, physical abuse or misapplication. Rubber and synthetic rubber parts such as "O"-rings, diaphragms, squeeze tubing and gaskets are considered expendable and are not covered under warranty. This warranty is extended only to the original buyer of DEMA products. If products are altered or repaired without prior approval of DEMA, this warranty will be void.

Defective units or parts should be returned to the factory with transportation prepaid. If inspection shows them to be defective, they will be repaired or replaced without charge. F.O.B. factory DEMA assumes no liability for damages. Return merchandise authorization number to return units for repair or replacement must be granted in advance of return.