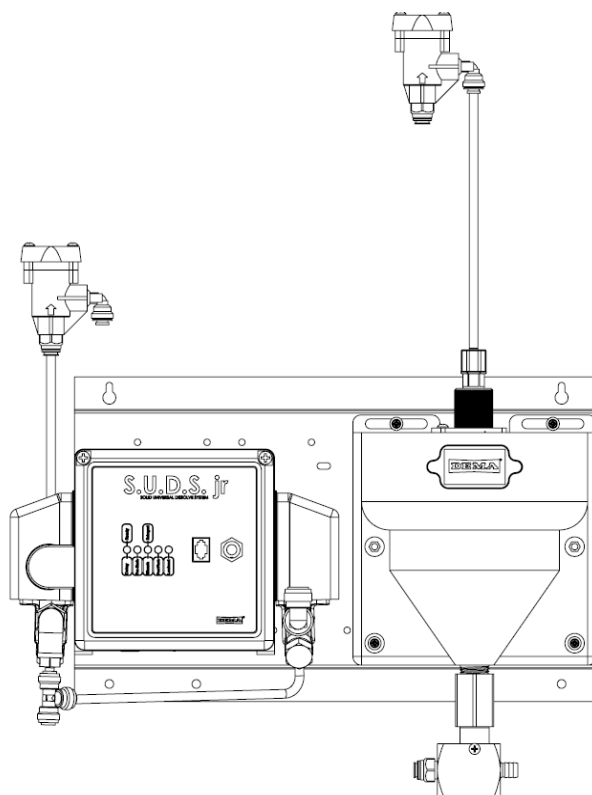


DEMA S.U.D.S Jr.

SINGLE PRODUCT LAUNDRY 581K(I)(S)(V)



Overview

The DEMA 581K SUDS Jr. Single Product Solid Laundry system has been updated and redesigned. It uses the proven DEMA Viking Bowl and removes the possibility of water leaking into the electronics by placing the electronics in a small ABS box to the side of the unit. Programming of the unit is accomplished through the 81.245.1 two button programmer. The unit can be ordered with an injector on the bowl for injection feeding into a laundry machine. A voltage sensor can be added as well for a trigger from the laundry machine to begin adding detergent.

Warnings



Installation of DEMA products must meet all applicable electrical codes and regulations established by national, city, county, parish, provincial or other agencies. It is possible that electrical codes and regulations require that a certified electrical contractor or engineer perform the electrical installation. For questions, contact a certified electrician.



ALL ELECTRICAL POWER MUST BE TURNED OFF TO THE DISPENSER AND TO THE APPLIED MACHINE.



All installations must conform to local plumbing codes and use approved backflow prevention devices. A pressure indicating tee is to be installed with existing faucets according to local plumbing codes in the state of Wisconsin and any other state that requires the use of a pressure indicating tee.



ALWAYS WEAR PROTECTIVE CLOTHING AND EYEWEAR WHEN WORKING WITH CHEMICAL PRODUCTS.

Specifications

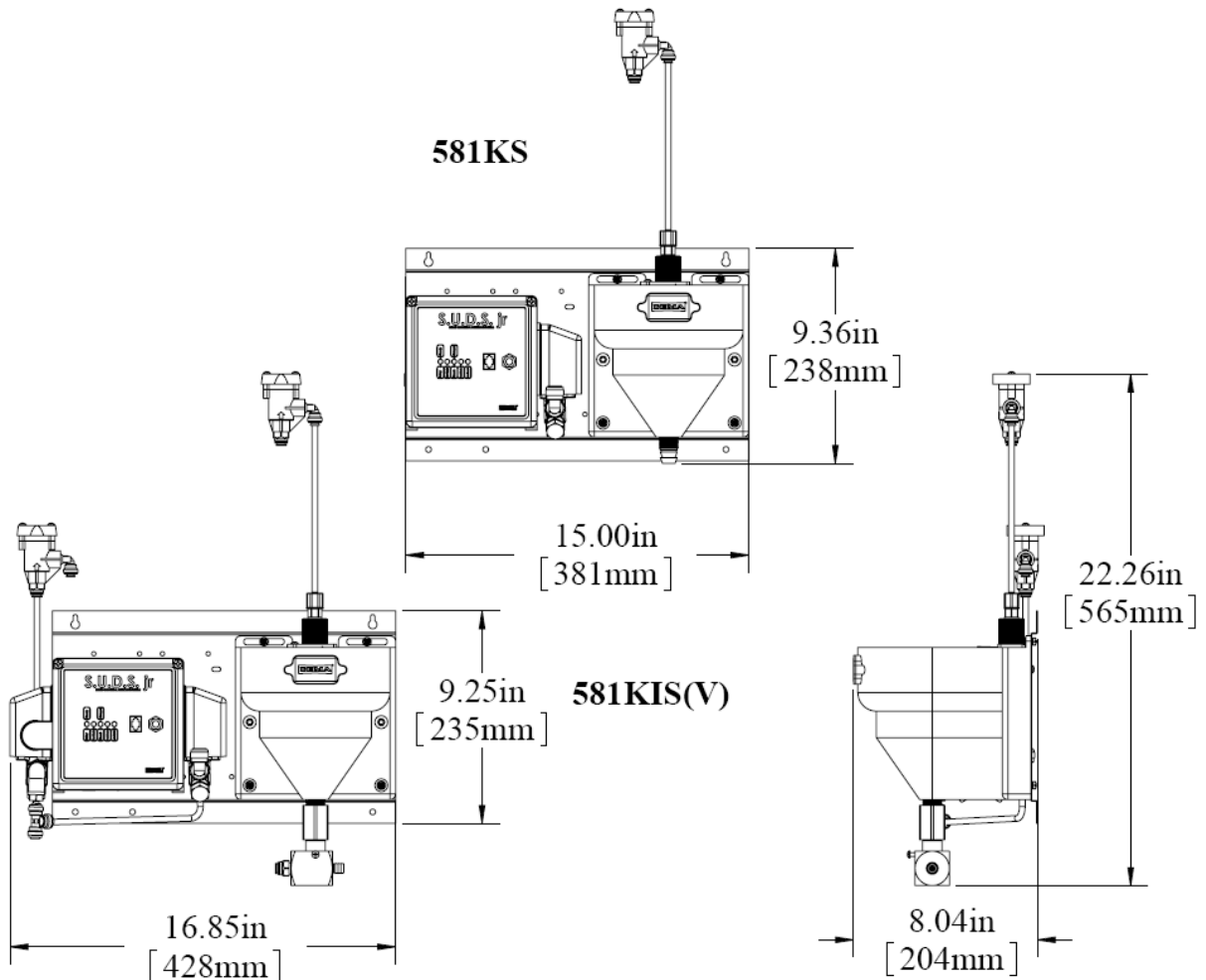
Packing List

Parts	581KS.1W	581KIS.1W	581KISV.1W	581KSV.1W
581K UNIT	58.122.20	58.122.21	58.122.22	58.122.25
INJECTOR ON BOWL		58-9	58-9	
VOLTAGE SENSOR			82-33-1	82-33-1
VACUUM BREAKER	58-1LA (1)	58-1LA (2)	58-1LA (2)	58-1LA (2)
INSTRUCTION SHEET	I-911	I-911	I-911	I-911

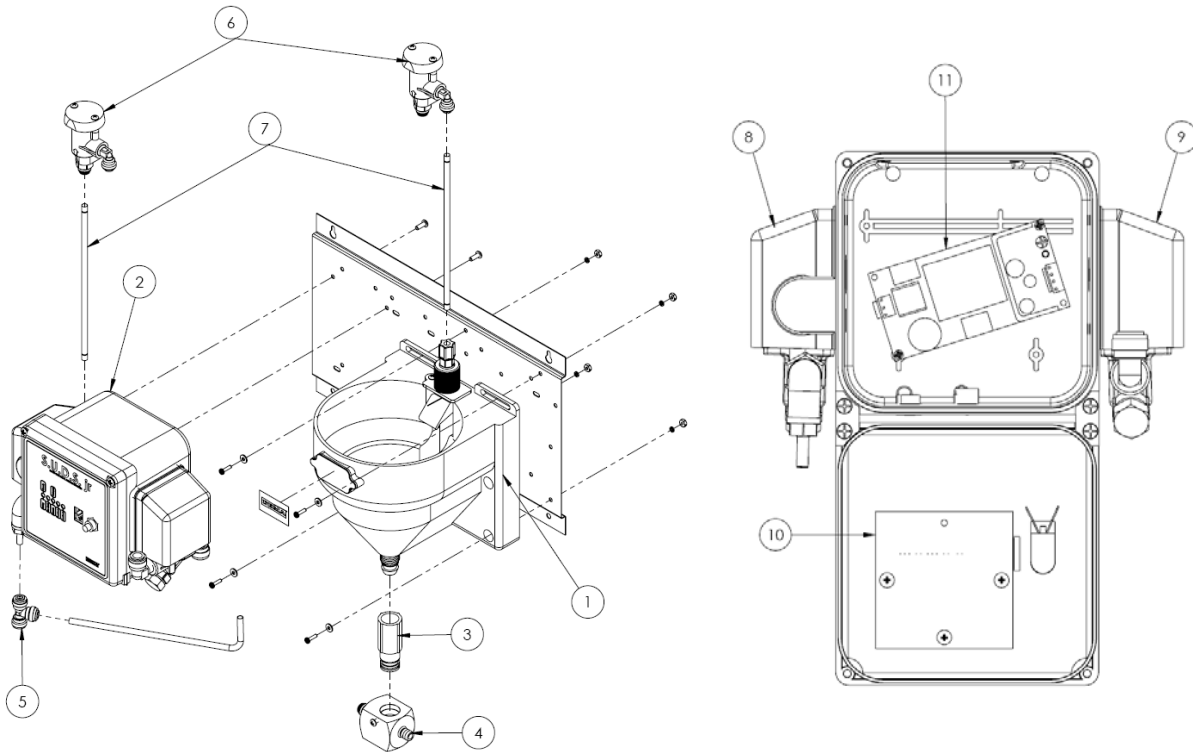
Operational Requirements

- Voltage: 100-265 VAC 50/60 HZ
- Current: 0.5 AMPS
- Water Temperature: up to 150°F/65°C

Overall Size



Parts List



NO.	PART NO.	DESCRIPTION
1	5800V.NH	DEMA VIKING BOWL – NO HARDWARE
2	58.121.15	581KS CONTROL
	58.121.16	581KIS CONTROL
	58.121.17	581KISV CONTROL
3	58.3.2	ADAPTER FROM BOWL TO INJECTOR
4	58.90	INJECTOR ASSEMBLY
5	58.110.1	JOHN GUEST TEE ¼"X¼"X¼"
6	58.2	VACUUM BREAKER ASSY (JOHN GUEST ¼" FITTINGS)
7	58.6	8" SS TUBE
8	44.123.18B	VALVE ASSY FOR 581KIS(V) FOR INJECTOR
9	44.123.19B	VALVE ASSY FOR 581KS OR 581KIS(V) FOR BOWL
10	84.155.2	SPL CONTROL BOARD
11	81.281.1	OPEN FRAME POWER SUPPLY REPLACEMENT KIT
12	81.245.1	2 BUTTON PROGRAMMER (NOT SHOWN)

Installation

Mounting

1. Find a place near the laundry machine to hang the dispenser on the wall.
2. Uses screws to secure the back plate of the dispenser on the wall. Two holes are located on the top of the plate to be able to slide the dispenser onto screw in the wall.
3. Then the dispenser should be secured with more screws in the bottom of the plate to ensure the mounting is sufficient.

Electrical Installation



ALL ELECTRICAL POWER MUST BE TURNED OFF TO THE DISPENSER AND TO THE APPLIED MACHINE.

The dispenser is pre-wired and does not need to be opened for installation. The dispenser accepts 100-265 VAC 50/60 Hz. Power should be applied to the dispenser anytime the laundry machine is powered.

To Power Directly from the Laundry Machine:

The dispenser comes with a 3 prong plug on the end of the 15' power cord. This cord can be cut off to expose the wires to connect to a laundry machine. Connect the wires as described below:

COLOR	TERMINAL
BROWN	LINE/HOT
BLUE	RETURN/NUETRAL
GREEN	GROUND

Operation

Programming

All programming is done from the front of the dispenser using a DEMA 81-245-1 Two Button Programmer as shown to the right.

During programming – all program modes will be active, i.e. detergent will dispense during programming.

To Program:

1. Apply power to the dispenser
2. Connect the 81.245.1 two button programmer as shown to the right.
3. Push either button on the programmer to toggle the LED to the desired mode
4. Push both buttons at the same time to start program time for the LED chosen and to stop the program time once that time is reached. (The chart on the following page will help for successfully programming this unit).
5. Repeat Steps 3 and 4 for all program modes.
6. Toggle the LED to the Ready – Green LED when programming is completed.
7. Remove the two button programmer.
8. Remove power from the dispenser.



If the dispenser is left idle in the programming mode for 60 seconds it will automatically exit the programming mode and turn to the “Ready” LED.

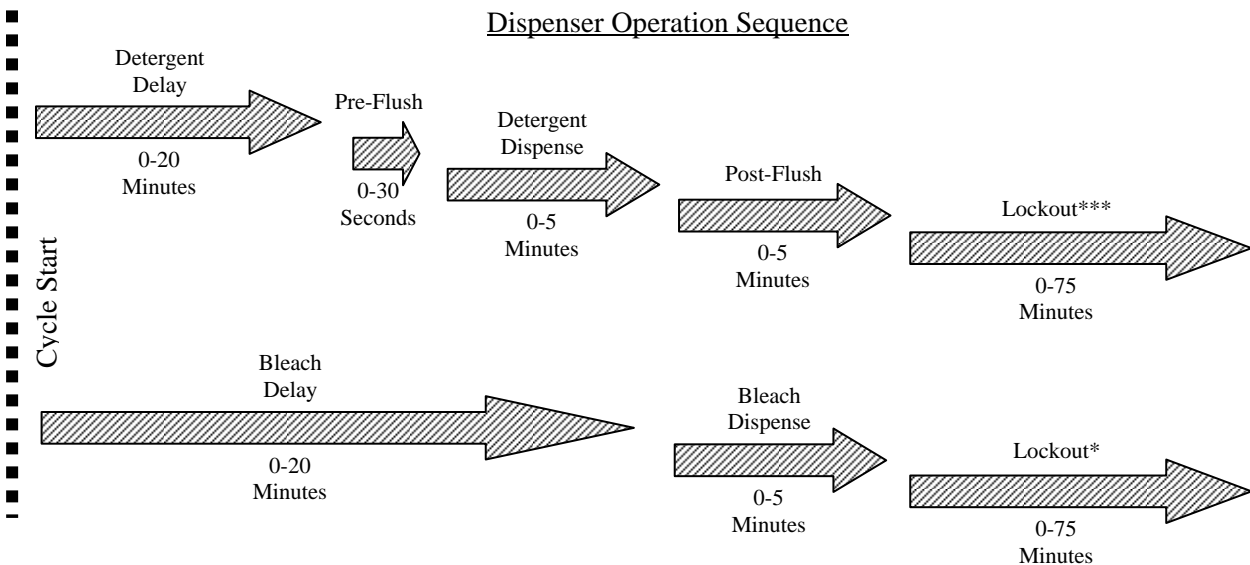
Programming Grid

Program Mode	LED Color	Description	Programming	Range	Factory Default Settings
Ready	Green	Indicates power to unit.	None required	-	-
Detergent Delay	Delay – Red Detergent – Green	Actual delay time from cycle start to detergent dispensing	Push both buttons to start/stop delay time Each flash = 1 min.	0-20 Min.	0 Min.
Pre-Flush	Yellow	Run time of injector prior to detergent dispensing. *	Push both buttons to start/stop pre-flush	0-30 Sec.	0 Sec.
Detergent	Green	Total amount of time that detergent dispensed	Push both buttons to start/stop detergent dispensing	0-5 Min.	10 Sec.
Bleach Delay**	Delay – Red Bleach – Red	Actual delay time from cycle start to bleach dispensing	Push both buttons to start/stop bleach delay. Each flash = 1 min.	0-20 Min.	0 Min.
Bleach	Red	Total amount of time that bleach dispensed	Push both buttons to start/stop bleach dispensing	0-5 Min.	0 Sec.
Post-Flush	Yellow	Run time of injector after detergent dispensing. *	Push both buttons to start/stop post-flush	0-5 Min.	0 Sec.
Lockout	Red	Amount of time that unit will not run after dispensing is complete	Push both buttons to start/stop lockout Each Flash = 1 min.	0-75 Min.	0 Min.

* Set this time to zero for units without injectors.

**The Bleach Delay is independent of the detergent delay and detergent dispense time.

Operation



***The Lockout time will start after either the Post-Flush or the Bleach Dispense whichever event ends last.

All dispensers have a push button switch on the front panel. **When the push button is used to start a cycle, it will automatically omit the Delay Time and provide an instantaneous start.** It can also be used to turn the dispenser off during a cycle. This will also start the lockout time and the full time will run. The push button has no effect during lockout.

Voltage Sensor

A voltage sensor can be used as a machine trigger to start the dispenser cycle. The voltage sensor accepts only AC voltage from 24-480 V. There are two orange wires that come out of the voltage sensor. These should be used to connect into the voltage to possibly a supply valve for the laundry machine. When the voltage sensor is used to machine trigger the dispenser, the delay time at the beginning of the cycle is active. If a zero delay time is set, the machine trigger will begin the dispenser instantaneously and the cycle will start with a detergent dispense.

Troubleshooting

PROBLEM	CAUSE	SOLUTION
The unit is not running the proper programming.	<ol style="list-style-type: none">1. Improper times were programmed into the unit.2. Dispenser Operation Sequence is not taken into account.	<ol style="list-style-type: none">1. Run through the programming of the unit again on page 5 to insure proper times are programmed. Make sure to note whether the programming is done by flashes of the LED or waiting the proper amount of time.2. Review the operation sequence on page 5 to be sure the dispenser is operating how it is supposed to.
There is no power to the unit	<ol style="list-style-type: none">1. The unit was wired to the dish machine and there is no power to the dish machine.2. The unit was not wired properly to the dish machine.	<ol style="list-style-type: none">1. Check the power to the dish machine to be sure there is power being supplied.2. Check the wiring to the dish machine in the table on page 4.

Warranty

Merchandise Returns

No Merchandise will be returned for credit without DEMA'S written permission. Returned merchandise authorization number is required in advance of return.

Product Warranty

DEMA products are warranted against defective material and workmanship under normal use and service for one year from the date of manufacture. This limited warranty does not apply to any products that have a normal life shorter than one year or failure and damage caused by chemicals, corrosion, physical abuse, or misapplication. Rubber and synthetic rubber parts such as "o"-rings, diaphragms, PVC tubing, and gaskets are considered expendable and are not covered under warranty. This warranty is extended only to the original buyer of DEMA products. If products are altered or repaired without prior approval of DEMA, this warranty is void.

Defective units or parts should be returned to the factory with transportation prepaid. If inspection shows them to be defective, they will be repaired or replaced without charge, F.O.B. factory. DEMA assumes no liability for damages. Return merchandise authorization number must be granted in advance of returned units for repair or replacement (See "Merchandise Returns" above).