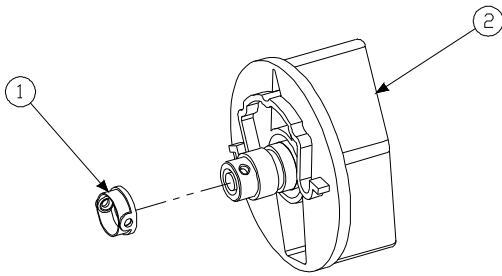


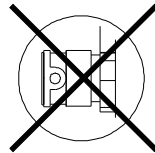
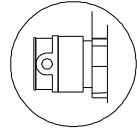
# \*\*\* Important Notice \*\*\*

For  
**ALL DEMA**  
**ROAM' n FOAM MODELS**  
**INSTALLING THE TWO PORT SEAL:**

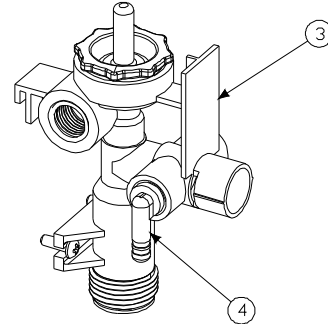
If for any reason it becomes necessary to install the Two Port Seal, these directions should be followed precisely.



**Fig. 1**

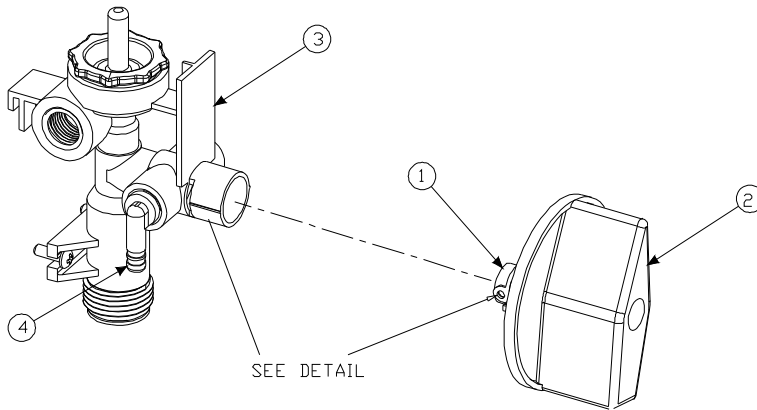


**Fig. 2**

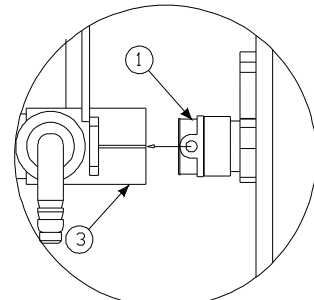


**Fig. 3**

1. Lubricate the Two Port Seal (1) with silicone oil or grease on the inside and outside of the seal.
2. Place the Two Port Seal on the Selector Knob (2) as shown in **Fig. 1 & 2**.
3. Check to make sure that the hose barbs (4) are in place as shown in **Fig. 3**. They cannot be put on after the knob has been installed.

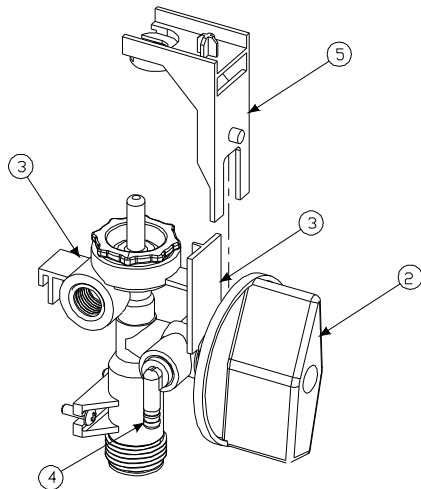


**Fig. 4**



**DETAIL**  
ALIGN CENTER OF SEAL HOLES  
WITH LINE AS SHOWN

4. **Align the holes in the Two Port Seal with the line on the side of the Valve Body (3) port as shown in Fig. 4.**



**Fig. 5**

5. Push the Selector Knob with the Two Port Seal firmly all the way into the Valve Body.
6. Slide magnet holder (5) onto valve body as shown in **Fig. 5**.