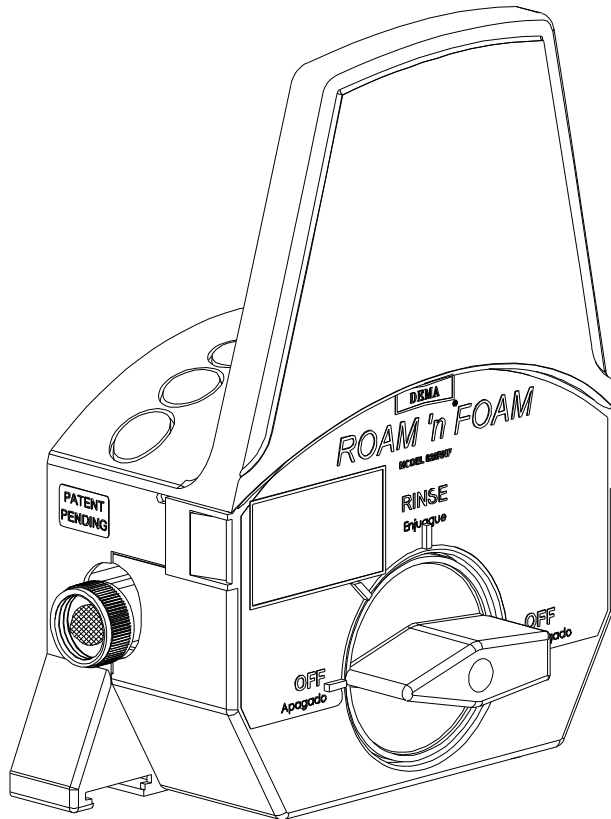


**DEMA ROAM' n FOAM MODELS
625RNF, 625RNF-1, 625RNF-2, 625RNF-3, 625RNF-4 & 625RNF-5
INSTRUCTION SHEET**



PURPOSE:

The Roam-N-Foam is a spray system designed to allow a single turn knob to control On, Off, Rinse and up to two chemicals using a single chemical resistant plastic injector. There is full water flow whenever the valve opens and the easily removable injector allows three flow rates (2.1, 2.7 and 3.3 gallons per minute) to choose from. The 2.7 gallon per minute injector is the standard that is assembled in the unit. The 3.3 gallon per minute injector is also included in the package as an option. ROAM' n FOAM Dispensers are used in any application where a chemical product must be sprayed or foamed without the use of compressed air or a high pressure pump. City water pressure and optional spray gun and foam wand attachments create the correct amount of pressure and foam for cleaning in food service applications such as supermarket meat rooms, deli areas and seafood departments.

The Roam' n Foam offers the following advantages over a traditional spray system:

- No manifold
- Polypropylene injector for chemical resistance
- No ball valves
- Large turn knob for easy on/off action
- Polypropylene cover with built in hose rack and foam wand storage offers neat appearance

NOTE: ALL INSTALLATIONS MUST CONFORM TO LOCAL PLUMBING CODES AND USE THE APPROVED BACKFLOW PREVENTORS.

WARNING: WATER SUPPLY SHOULD NOT EXCEED 125 PSI AND WATER TEMPERATURE MUST NOT EXCEED 150°F (66°C). USE CARE WHEN HANDLING HAZARDOUS CHEMICALS.

CAUTION: TURN OFF WATER SUPPLY BEFORE SERVICING. WHEN SERVICING UNIT BE SURE THAT REPLACEMENT PARTS HAVE BEEN INSTALLED ACCORDING TO DRAWING. BE CERTAIN THAT THE CHECK VALVE PARTS ARE IN PLACE.

DEMA ROAM' n FOAM MODELS
625RNF, 625RNF-1, 625RNF-2, 625RNF-3, 625RNF-4 & 625RNF-5
INSTRUCTION SHEET

PARTS CHECKLIST: (By Roam' n Foam model number.)

PARTS	625RNF	625RNF-1	625RNF-2	625RNF-3	625RNF-4	625RNF-5
Red Hose - ½" I.D. x 25' 44-3RG			1	1	1	1
Black Hose - ½" I.D. x 6' 44-3-6			1	1	1	1
Blue Gun & Wand 40-14QD/292QD			1		1	
Gray Gun & Wand 28-1QD & 292GQD				1		1
Backflow Preventer * 44-89-112					1	1
3.3 GPM Injector Assembly 20-1-12RF	1	1	1	1	1	1
Metering Tip Kit 100-15K	1	1	1	1	1	1
Tubing And Foot Valve Assembly 100-16E-1	2	1	2	2	2	2
Ceramic Weight 61-107-2	2	1	2	2	2	2
Screw & Anchor Kit 66-117-5	1	1	1	1	1	1
Hose Clamp Kit 66-231	1	1	1	1	1	1

* ASSE 1012 approved constant pressure backflow preventor.

INSTALLATION:

NOTE: ALL INSTALLATIONS MUST CONFORM TO LOCAL PLUMBING CODES AND USE THE APPROVED BACKFLOW PREVENTORS.

WARNING: WATER SUPPLY SHOULD NOT EXCEED 125 PSI AND WATER TEMPERATURE MUST NOT EXCEED 150°F (66°C). USE CARE WHEN HANDLING HAZARDOUS CHEMICALS.

A. MOUNTING AND WATER SUPPLY:

Mount in a convenient location using the screw and anchor kit provided. Use the back of the unit as a template to mark the locations for the screws. Use the included anchors (if required) and leave the screws sticking out of the wall approximately ½". Mount the unit by inserting the screw heads through the keyhole slots and tightening the screws. Secure the unit by inserting screws into the two lower holes and tighten them.

The water inlet is equipped with a female garden hose fitting. The fitting may be removed to permit direct connection to 3/8" NPT pipe. **WARNING: WATER SUPPLY SHOULD NOT EXCEED 125 PSI AND WATER TEMPERATURE MUST NOT EXCEED 150°F (66°C).**

B. OUTLET CONNECTION:

Connect the discharge hose to the outlet garden hose fitting. Squeeze hose clamp around hose. Locate position for mounting screw and mount hose clamp to wall using remaining screw and anchor. Spray guns, spray nozzles or foaming wands may be used on the hose outlet. We recommend spray nozzles of 6 GPM or higher (at 40 psi). When a spray gun or nozzle is used, hose lengths must not exceed those shown in Table 1. Hoses, spray guns and foam wands are available through DEMA. See the parts list on the last page for the various styles.

TABLE 1

Hose I.D.	3/8"	1/2"	5/8" (or larger)
Max. Length	15 ft.	50 ft.	100 ft.

C. CHEMICAL SUPPLY:

WARNING: USE CARE WHEN HANDLING HAZARDOUS CHEMICALS.

Place the chemical container(s) in a convenient location not more than six feet below the ROAM' n FOAM (greater lifts will reduce injection capabilities). The top of the chemical product container should never be higher than the ROAM' n FOAM. Cut the vinyl tubes to any convenient length that will allow the tubing to reach the bottom of the container. Drop the tubing ends with the foot valves into the chemical containers. Push the other tubing ends over the chemical inlet barbs located on the sides of the injector.

DEMA ROAM' n FOAM MODELS

625RNF, 625RNF-1, 625RNF-2, 625RNF-3, 625RNF-4 & 625RNF-5

INSTRUCTION SHEET

FEED RATE ADJUSTMENT:

The chemical feed rate is controlled by metering tips screwed into the hose barb(s) of the injector. The feed rates can be changed by using different sizes of metering tips. To select the proper size of metering tip for the desired dilution ratio, refer to Table 2 below.

TABLE 2 - METERING TIP SELECTION CHART
FLUID DILUTION RATIOS WITH METERING TIP KIT (100-15K)

Metering Tip Color	Injection Rates for Viscosities Shown					
	1 cps		75 cps		200 cps	
	Oz/Gal	Ratio	Oz/Gal	Ratio	Oz/Gal	Ratio
Tan	0.40	320-1	0.25	512-1	0.20	640-1
Orange	0.50	256-1	0.35	366-1	0.25	512-1
Turquoise	0.70	183-1	0.50	256-1	0.35	366-1
Pink	0.95	135-1	0.65	197-1	0.45	284-1
Clear	1.30	98-1	0.80	160-1	0.55	233-1
Brown	1.50	85-1	0.90	142-1	0.60	213-1
Red	1.90	67-1	1.00	128-1	0.70	183-1
White	2.20	58-1	1.30	98-1	0.80	160-1
Green	2.60	49-1	1.50	85-1	0.90	142-1
Blue	3.20	40-1	1.75	73-1	1.00	128-1
Yellow	4.85	26-1	2.25	57-1	1.10	116-1
Black	6.50	20-1	2.40	53-1	1.15	111-1
Purple	9.20	14-1	2.70	47-1	1.20	107-1
Gray	10.40	12-1	2.85	45-1	1.25	102-1
No Tip	12.80	10-1	3.50	37-1	1.55	83-1

All injection ratios are based on 40 PSI inlet water pressure and a water flow rate of 2.7 GPM.

Note: Leaner dilutions are available using DEMA metering tip kit #100-15KU or capillary tip #44-61P

OPERATION:

The ROAM' n FOAM permits the operator to select one of two chemicals or clear water rinse by turning the selector knob. When using a spray gun or foaming wand, make sure that the gun on the end of the hose is in the full open position when inducting chemical.

SERVICING:

CAUTION: TURN OFF WATER SUPPLY BEFORE SERVICING.

A. If unit fails to draw chemical:

1. Is the discharge hose too long? (See Table 1)
2. Is the gun or nozzle sized properly? (Refer to Section 2 B). Remove gun and/or nozzle(s) and turn on water. If the injector inducts chemical, the gun and nozzle(s) are improperly sized.
3. Is the metering tip blocked? Remove tip and clear blockage.
4. Is the hose kinked or otherwise obstructed?
5. Is the spray gun fully open?

B. If unit stops drawing chemical:

1. Is the injector (# 17 on the exploded view) inside the unit clogged? Hard water deposits will affect its' performance. Remove the outlet hose then pull out the injector using a screwdriver in the slot provided.
2. Is the foot valve(s) clogged? Lift from drum and clean.
3. Is the spray nozzle partially clogged? Remove and clean.
4. Is the metering tip(s) blocked? Remove and clean.

DEMA ROAM' n FOAM MODELS

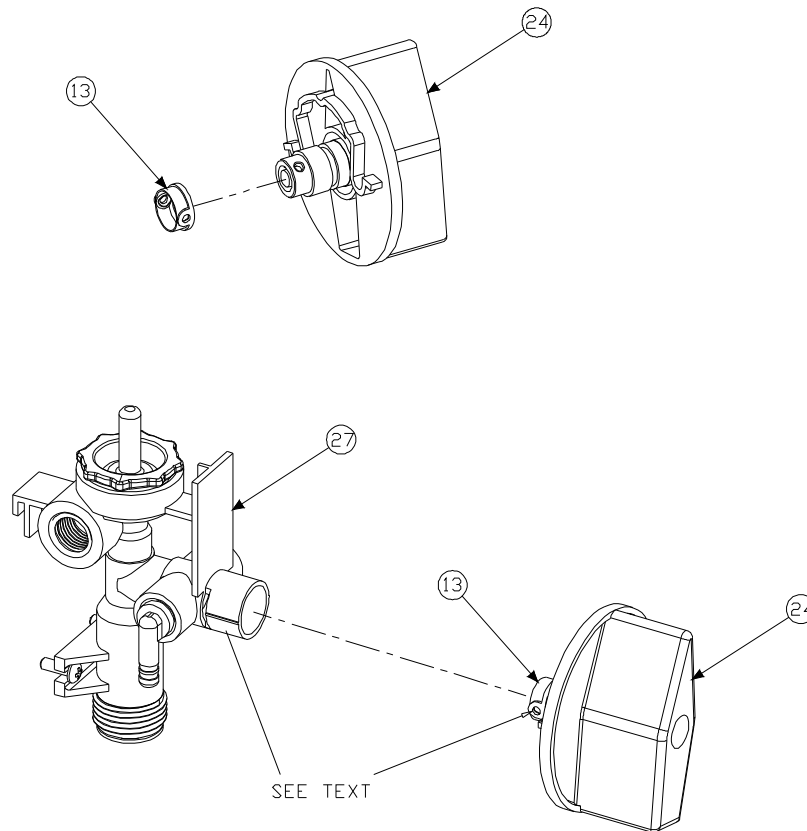
625RNF, 625RNF-1, 625RNF-2, 625RNF-3, 625RNF-4 & 625RNF-5

INSTRUCTION SHEET

C. Valve Malfunction: (See the numbers in parenthesis on the exploded parts view page.)

1. To access the valve components, first remove the cover (22) then the two screws (16). Unhook the body assembly and remove it and the spring (4) from the base (1). Lift the magnet holder (5) off the valve assembly, being careful not to drop the magnet (3). Do not remove the knob (24). Unscrew the enclosing tube nut (2) and carefully remove the enclosing tube (6) so as not to drop the plunger (8) and kickoff spring (7). Check for dirt or damage impeding plunger and kickoff spring movement. Inspect the diaphragm, making sure the two small pinholes (bleed holes) in the diaphragm convolution are clear in order to allow the valve to close.

CAUTION: WHEN SERVICING UNIT BE SURE THAT REPLACEMENT PARTS HAVE BEEN INSTALLED ACCORDING TO DRAWING. BE CERTAIN THAT THE CHECK VALVE PARTS ARE IN PLACE.



INSTALLING THE TWO PORT SEAL:

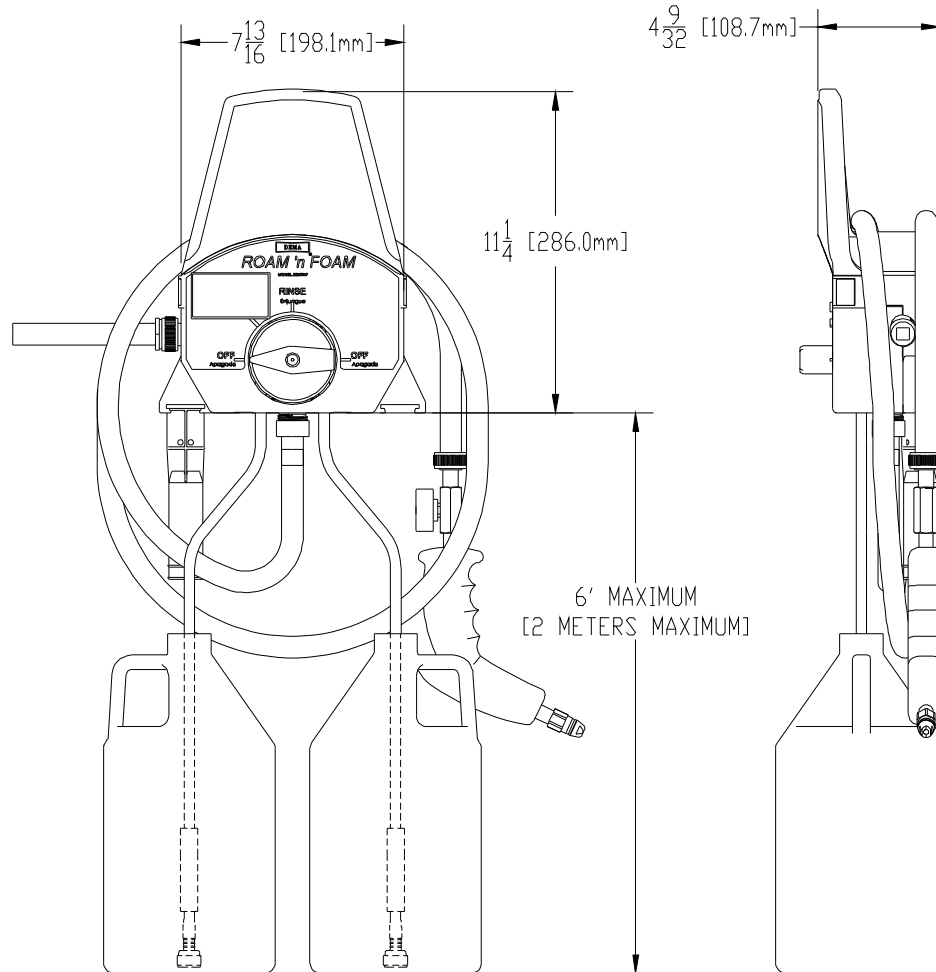
If for any reason it becomes necessary to install the Two Port Seal, these directions should be followed precisely.

- Lubricate the Two Port Seal (13) with silicone oil or grease on the inside and outside of the seal.
- Place the Two Port Seal on the Selector Knob (24) as shown in the upper drawing.
- Check to make sure that the hose barbs are in place as they cannot be put on once the knob is installed.
- **Align the holes in the Two Port Seal with the line on the side of the Valve Body (27) port** as shown in the lower drawing.
- Push the Selector Knob with the Two Port Seal firmly all the way into the Valve Body.

DEMA ROAM' n FOAM MODELS 625RNF, 625RNF-1, 625RNF-2, 625RNF-3, 625RNF-4 & 625RNF-5 INSTRUCTION SHEET

OVERALL DIMENSIONS:

Weight: 1.5 lb. (0.2 kg.): Weight is for the unit only and does not include the hose. The unit has a female hose inlet and a male hose outlet.



Return Policy

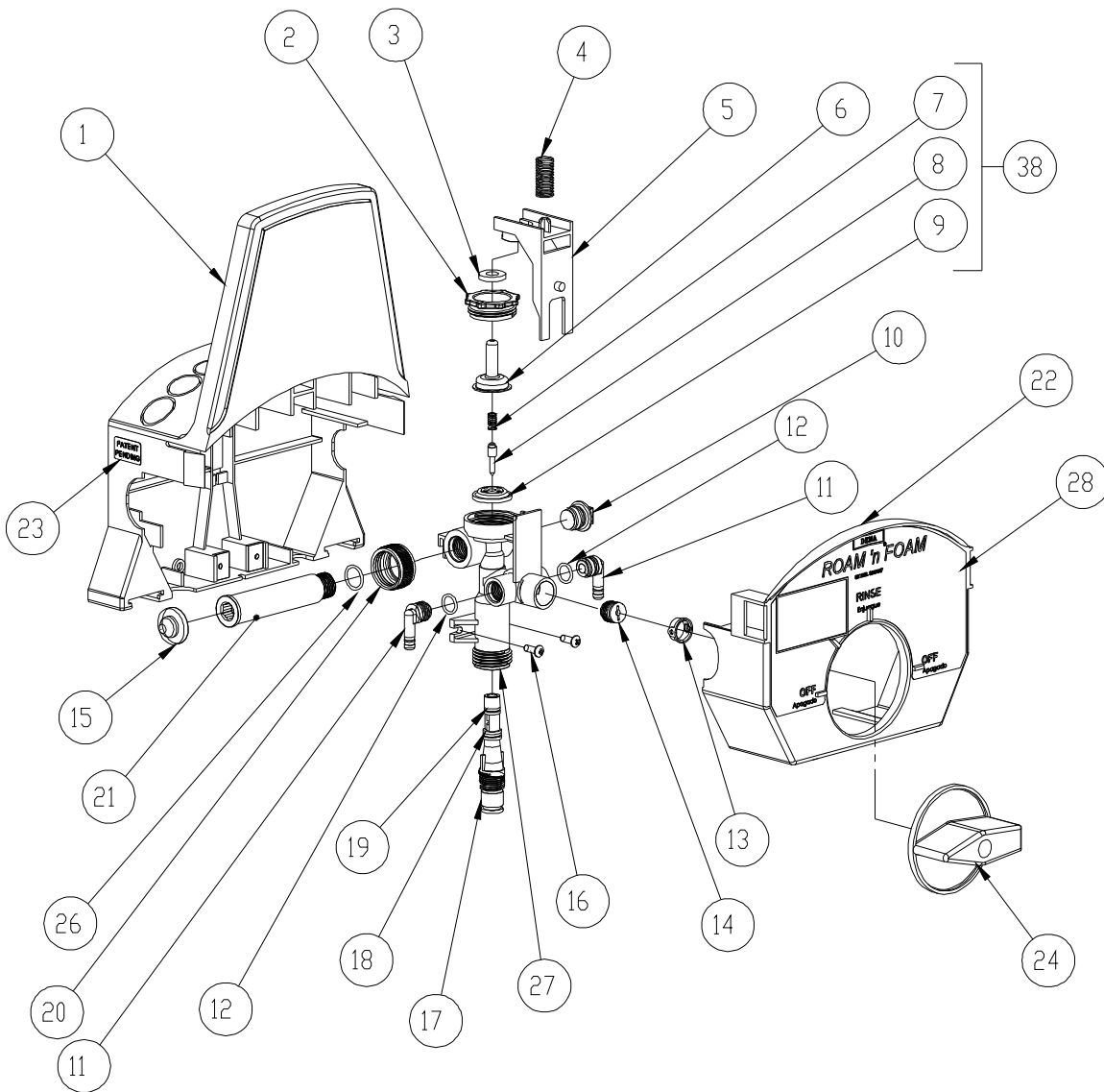
No merchandise may be returned for credit without DEMA Engineering Company's written permission. Return Merchandise Authorization (RMA) number required in advance of return.

Warranty

DEMA products are warranted against defective material and workmanship under normal use and service for one year from the date of manufacture. This limited warranty does not apply to products that have a normal life shorter than one year or failure and damage caused by chemicals, corrosion, improper voltage supply, physical abuse or misapplication. Rubber and synthetic parts such as "O"-rings, diaphragms, squeeze-tubes and gaskets are considered expendable and are not covered under warranty. This warranty is extended only to the original buyer of DEMA products. If products are altered or repaired without prior approval of DEMA, this warranty will be void.

Defective units or parts should be returned to the factory with transportation prepaid. If inspection shows them to be defective, they will be repaired or replaced without charge. F.O.B. factory DEMA assumes no liability for damages. Return merchandise authorization number to return units for repair or replacement must be granted in advance of return.

**DEMA ROAM' n FOAM MODELS
625RNF, 625RNF-1, 625RNF-2, 625RNF-3, 625RNF-4 & 625RNF-5
INSTRUCTION SHEET**



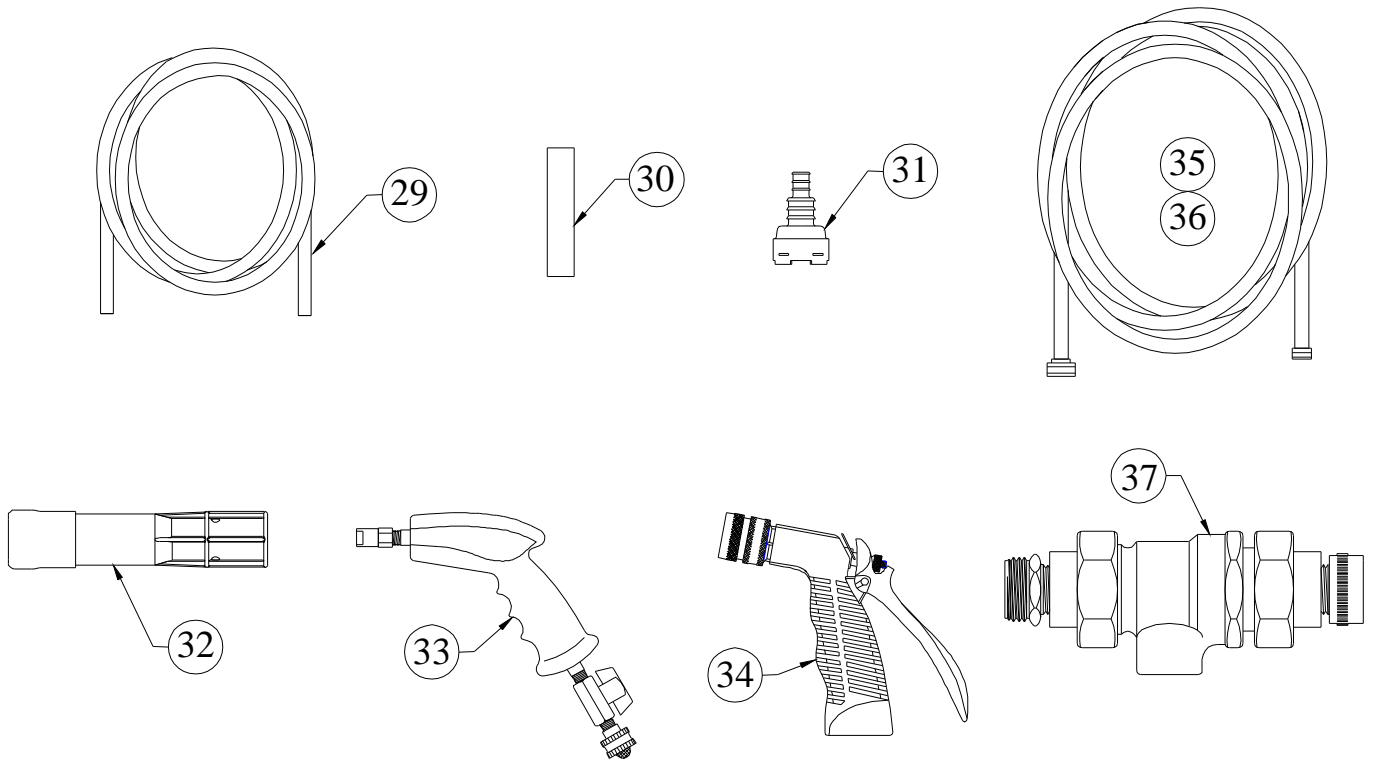
**DEMA ROAM' n FOAM MODELS
625RNF, 625RNF-1, 625RNF-2, 625RNF-3, 625RNF-4 & 625RNF-5
INSTRUCTION SHEET**

ITEM NO.	QTY	DEMA NO.	DESCRIPTION	MATERIAL
1	1	63-162-1	Base	POLYPROPLENE
2	1	98-7-2	Nut, Enclosing Tube Retaining	POLYPROPLENE
3	1	63-35	Magnet	NEODYMIUM
4	1	35-39	Spring	STNLS. STL
5	1	35-47	Magnet Holder	POLYPROPLENE
6	1	41-7-25	Enclosing Tube	STNLS. STL
7	1	98-41-1	Kickoff Spring	STNLS. STL
8	1	98-24-1	Plunger	STNLS. STL
9	1	41-15-10	1 1/16" Diaphragm	EDPM
10	1	66-153	Pipe Plug & O-Ring	POLYPRO/EPDM
11	*	63-79	Inlet Barb	POLYPROPLENE
12	*	63-78	O-Ring	EPDM
13	1	57-10-105-5	2 Port Seal	VITON
14	1	88-5-2	Check Valve Assembly	PVC
15	1	100-38	Strainer Washer	BUNA\STNLS.STL.
16	1	44-116-5	#8 HiLo Screw	STNLS. STL
17	1	20-1-10RF 20-1-11RF 20-1-12RF	Injector 2.1 GPM Injector 2.7 GPM Injector 3.3 GPM	POLYPROPLENE
18	1	25-29	O-Ring	EPDM
19	1	26-18	O-Ring	EPDM
20	1	65-10	Coupling	BRASS
21	1	44-108-1	Hose Fitting	BRASS
22	1	63-163-1	Front Cover	POLYPROPLENE
23	1	L915	Label	MYLAR
24	1	63-164-1	Selector Knob	POLYPROPLENE
26	1	619-15	O-Ring	EPDM
27	1	35-48-1	Valve Body	POLYPROPLENE
28	1	**	Label	MYLAR
38	1	98-25-1	Repair Kit	VARIOUS
39	1	66.231	Hose Clamp, Screw and Anchor Kit	VARIOUS

* 1 ea. for 625RNF-1, -3, -5 and 2 ea. for 625RNF-2 and -4.

** L913-1 for 625RNF-2 and -4; L913-2 for 625RNF-1, -3 and -5.

**DEMA ROAM' n FOAM MODELS
625RNF, 625RNF-1, 625RNF-2, 625RNF-3, 625RNF-4 & 625RNF-5
INSTRUCTION SHEET**



ITEM NO.	DEMA NO.	DESCRIPTION	MATERIAL
29	100-12	Vinyl Tubing ¼"i.d. x 8'lg	Vinyl
30	61-107-2	Ceramic Weight ¼"i.d.	Ceramic
31	100-16E	Foot Valve Assembly	Polyprop. & E.P.
32	292QD 292GQD	Wand (for 1/4 turn valve gun #33) Wand (for trigger handle gun #34)	Polypropylene Polypropylene
33	40-14QD	Spray gun (Blue Handle)	Stainless Steel With Insulated Rubber Handle
34	28-1QD	Spray gun w/ Quick Disconnect	Metal and Plastic With Insulated Rubber Handle
35	44-3-6	Hose Assy. Black ½"ID x 6' lg.	Black Rubber
36	44-3RG	Hose Assy. Red ½"ID x 25' lg.	Red Rubber
37	44-89-112	Backflow Assy. w/ Garden Hose Fittings	Brass