



DEMA MODEL 162HC

DRUM MOUNT PROPORTIONER INSTALLATION INSTRUCTIONS

1. PARTS:

- A. PROPORTIONER ASSEMBLY
- B. OUTLET TUBING
- C. SUPPLY TUBING WITH FOOT VALVE AND CERAMIC WEIGHT
- D. TUBING CLAMPS

2. INSTALLATION:

This product is designed only to be used as described in this instruction sheet. Adhere to all warnings and cautions identified in this document.	
	WARNING: Installations must conform to all local and national plumbing codes and use approved backflow prevention and pressure relief devices where required. ALWAYS DISCONNECT DISPENSER FROM WATER SOURCE WHEN DISPENSER IS NOT IN USE.
	Always read SDS for all chemicals used and follow personal protective guidelines.

Slide ceramic weight over vinyl tubing with foot valve. Attach tubing to hose fitting under bung cap and secure with tubing clamp. The ceramic weight keeps the foot valve submerged in the chemical. Screw bung cap into drum opening. Water inlet is garden hose swivel. Use high grade garden hose (Dema part 44-3 is 25 ft. of 1/2" I.D. hose.). Attach vinyl tubing to proportioner outlet. Secure tubing with tubing clamp. Hook tubing to lip of drum when not in use.

3. OPERATION:

Turn on water supply. Use ball valve to control water flow. Discharge is .5 GPM at 40 psi with ball valve fully open.

4. SERVICING:

CAUTION: TURN OFF WATER BEFORE SERVICING.

A. Failure to inject chemical:

1. Low water pressure. At least 10 psi is required.
2. Detergent passage clogged. Remove proportioner and soak in hot water
3. Foot valve clogged. Soak in hot water.
4. Lime deposits in water passages. Remove proportioner and soak in de-liming solution.

B. Injection continues after water is turned off:

1. Raise outlet tubing and tubing hanger onto drum lid to stop siphoning action.
2. If it is not practical to hook up outlet tubing, pierce a 1/16" diameter hole through the top of the vinyl tube just as it leaves the barb. (Note: This might cause excessive sudsing.)

CAUTION: WHEN SERVICING UNIT, BE SURE THAT REPLACEMENT PARTS HAVE BEEN INSTALLED ACCORDING TO DRAWING.

DEMA MODEL 162HC

DRUM MOUNT PROPORTIONER

INSTALLATION INSTRUCTIONS

RETURNS: **NO MERCHANDISE MAY BE RETURNED FOR CREDIT WITHOUT DEMA'S WRITTEN PERMISSION. RETURN MERCHANDISE AUTHORIZATION NUMBER REQUIRED IN ADVANCE OF RETURN.**

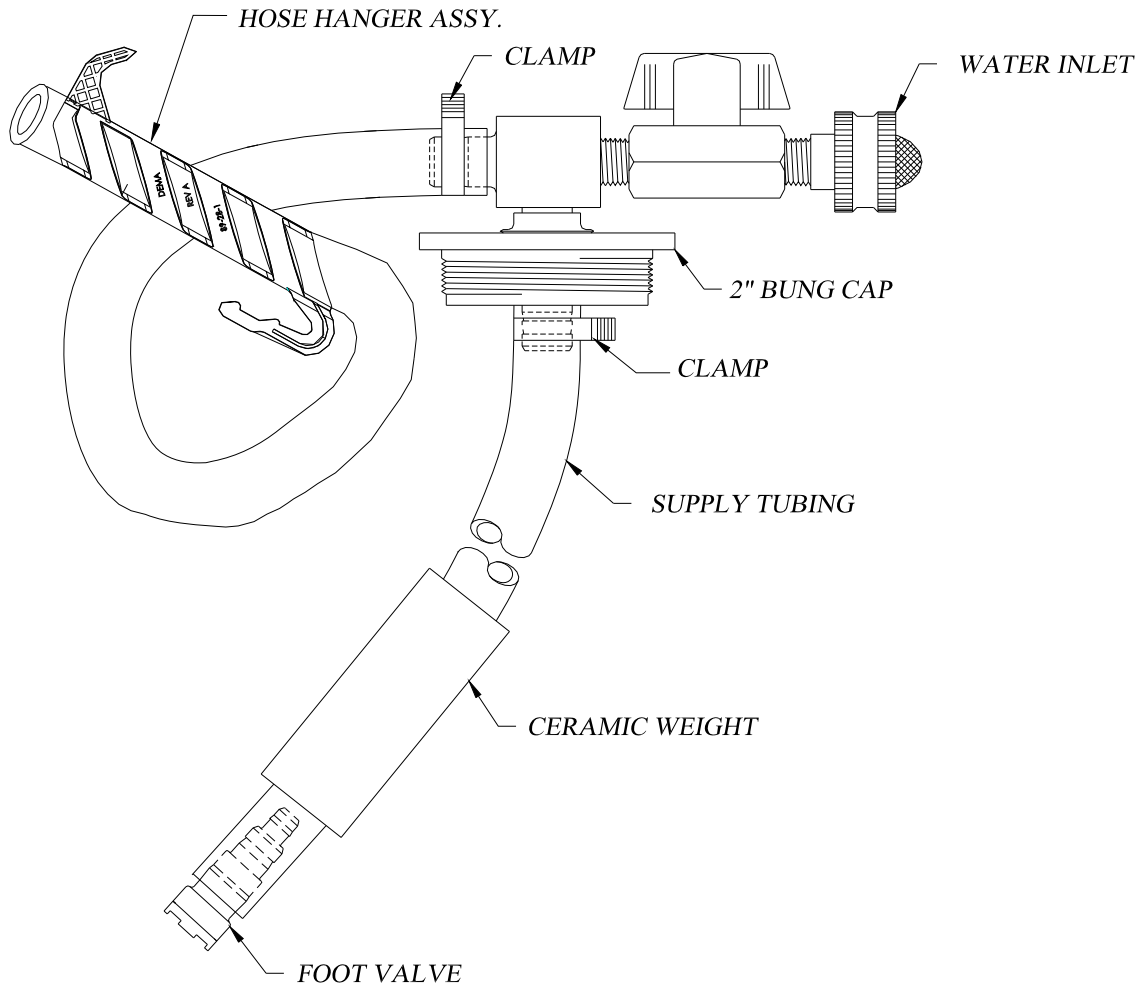
WARRANTY: DEMA products are warranted against defective material and workmanship under normal use and service for one year from the date of manufacture. This limited warranty does not apply to any products which have a normal life shorter than one year or failure and damage caused by chemicals, corrosion, improper voltage supply, physical abuse, or misapplication. Rubber and synthetic rubber parts such as "O"- rings, diaphragms, squeeze tubing and gaskets are considered expendable and are not covered under warranty. This warranty is extended only to the original buyer of DEMA products. If products are altered or repaired without prior approval of DEMA, this warranty will be void.

Defective units or parts should be returned to the factory with transportation prepaid. If inspection shows them to be defective, they will be repaired or replaced without charge, F.O.B. factory. DEMA assumes no liability for damages. Return merchandise authorization number, to return units for repair or replacement, must be granted in advance of return.

DEMA MODEL 162HC

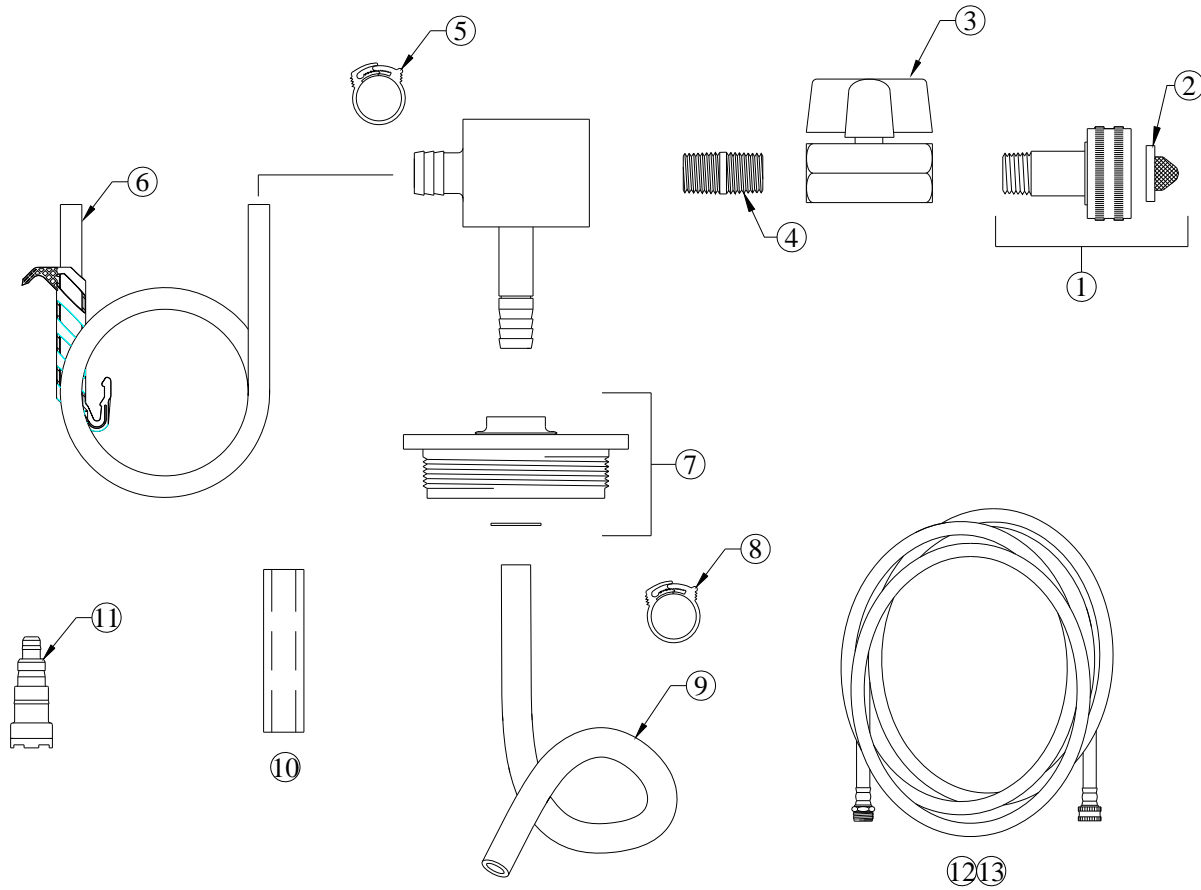
DRUM MOUNT PROPORTIONER

INSTALLATION INSTRUCTIONS



DEMA MODEL 162HC

DRUM MOUNT PROPORTIONER INSTALLATION INSTRUCTIONS



NO.	PART NO.	DESCRIPTION	NO.	PART NO.	DESCRIPTION
1	16-1	Coupling & Strainer Washer	8	16-9-2	Tubing Clamp, Plastic, Large
2	100-38	Strainer Washer	9	100-12LS	Supply tubing, 1/2" OD X 3 1/2" Lg.
3	16-11	1/4" NPT Ball Valve	10	61-107	Ceramic Weight, 1/2" OD Tubing
4	25-137-6	1/4" NPT Pipe Nipple	11	100-11P	Foot Valve
5	16-9-1	Tubing Clamp, Plastic, Small	ACCESSORIES		
6	89-30-5	Hose Hanger & Hose Assy.	12	44-3	Rubber Hose, 1/2" ID X 25 Ft.
7	16-7	Bung Top & Retainer Ring	13	44-36	Rubber Hose, 1/2" ID X 6 Ft.