

# DEMA MODEL 162HDM-2

## DRUM MOUNT INJECTOR

### INSTALLATION INSTRUCTIONS

**1. PARTS:**

- A. Injector Assembly
- B. Supply Tubing with Foot Strainer and Ceramic Weight.
- C. Tubing Clamp
- D. Metering Tip Kit

**2. INSTALLATION:**

Slide ceramic weight over vinyl tubing with foot strainer. Attach tubing to hose fitting under bung cap and secure with tubing clamp. The ceramic weight keeps the foot valve submerged in the chemical. Screw bung cap into drum opening. Water inlet is garden hose swivel. Use high-grade garden hose (See page 4 for garden hose.). Attach garden hose to injector outlet.

**3. ADJUSTMENT:**

**WARNING: USE CARE WHEN HANDLING HAZARDOUS CHEMICALS.**

Chemical feed rates are controlled by metering tips screwed into the injector barb. Select a tip using table 1 as a guide. Metering tips are identified by color.

**Note: 1 cps (centipoise) is the viscosity of water, 75 cps is approximately equal to the viscosity of 10 weight motor oil, and 200 cps is approximately equal to the viscosity of most dishwashing detergents.**

**Table 1: Induction rate at 11 gpm & 40 psi.**

TIP COLOR	INDUCTION RATE	
	1 CPS	
	OZ./GAL.	RATIO
Clear	0.25	506
Purple	0.28	459
Yellow	0.34	377
Green	0.73	176
Pink	0.96	134
Turquoise	1.55	83
Black	1.68	76
Gray	2.20	58
Red	2.92	44
Blue	3.48	37
Brown	4.41	29
White	7.20	18
Orange	6.90	19
No Tip	12.11	11

# DEMA MODEL 162HDM-2

## DRUM MOUNT INJECTOR

### INSTALLATION INSTRUCTIONS

#### 4. SERVICING:

**CAUTION: Turn off water supply before servicing.**

A. Failure to induct chemical:

- a. Low water pressure. At least 10 psi is required.
- b. Detergent passage clogged. Remove injector and soak in hot water.
- c. Foot strainer clogged. Soak in hot water.
- d. Lime deposits in water passages. Remove injector and soak in deliming solution.

B. Induction continues after water is turned off:

- a. Raise outlet garden hose and store hose on top of drum lid to stop siphoning action.

**CAUTION: When servicing unit, be sure that replacement parts have been installed according to drawing.**

#### RETURNS:

**NO MERCHANDISE MAY BE RETURNED FOR CREDIT WITHOUT DEMA'S WRITTEN PERMISSION. RETURN MERCHANDISE AUTHORIZATION NUMBER REQUIRED IN ADVANCE OF RETURN.**

#### WARRANTY:

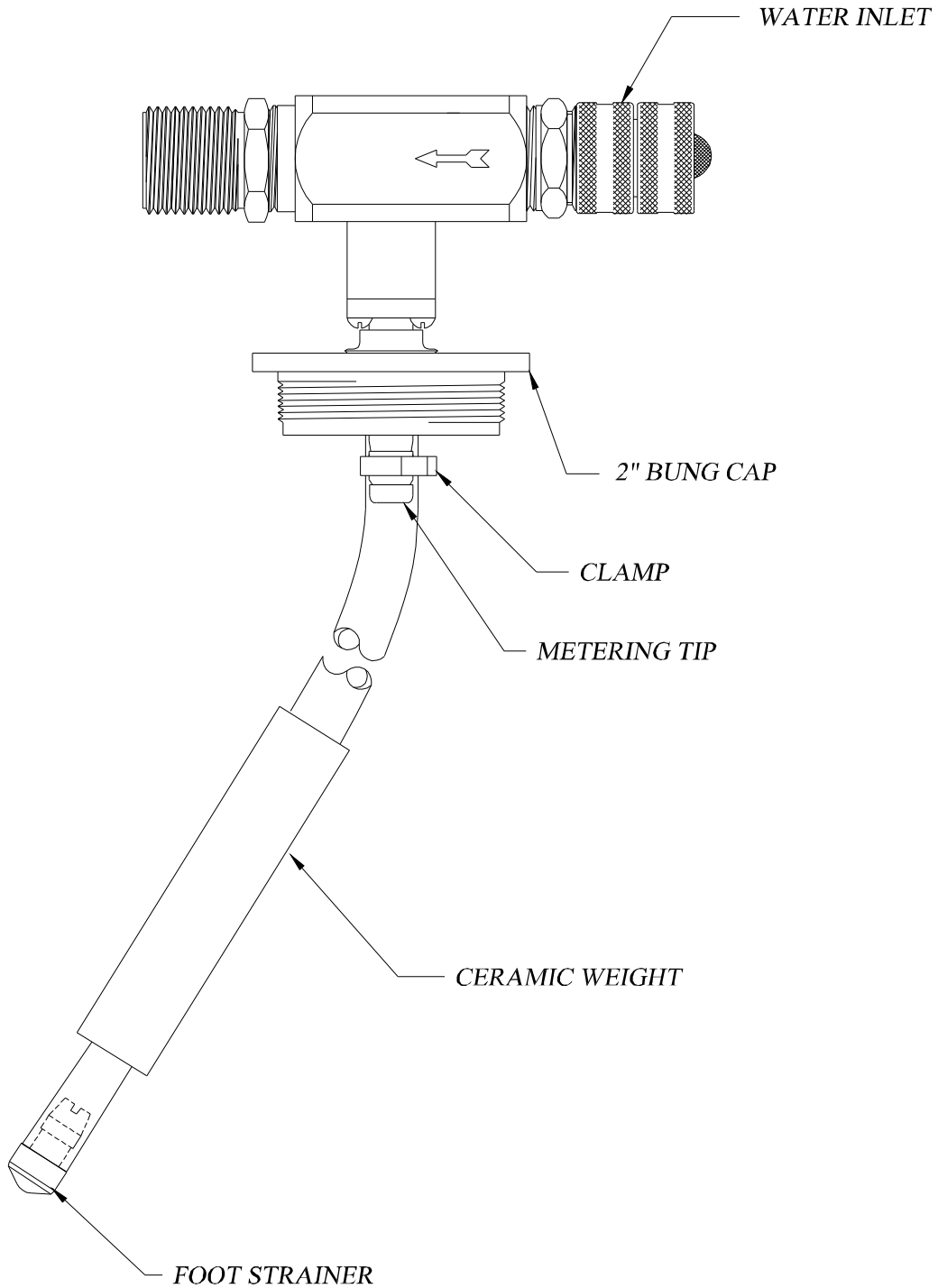
DEMA products are warranted against defective material and workmanship under normal use and service for one year from the date of manufacture. This limited warranty does not apply to any products, which have a normal life shorter than one year or failure and damage caused by chemicals, corrosion, improper voltage supply, physical abuse, or misapplication. Rubber and synthetic rubber parts such as "o"-rings, diaphragms, squeeze tubing and gaskets are considered expendable and are not covered under warranty. This warranty is extended only to the original buyer of DEMA products. If products are altered or repaired without prior approval of DEMA, this warranty will be void.

Defective units or parts should be returned to the factory with transportation prepaid. If inspection shows them to be defective, they will be repaired or replaced without charge, F.O.B. factory. DEMA assumes no liability for damages. Return merchandise authorization number, to return units for repair or replacement, must be granted in advance of return.

# DEMA MODEL 162HDM-2

## DRUM MOUNT INJECTOR

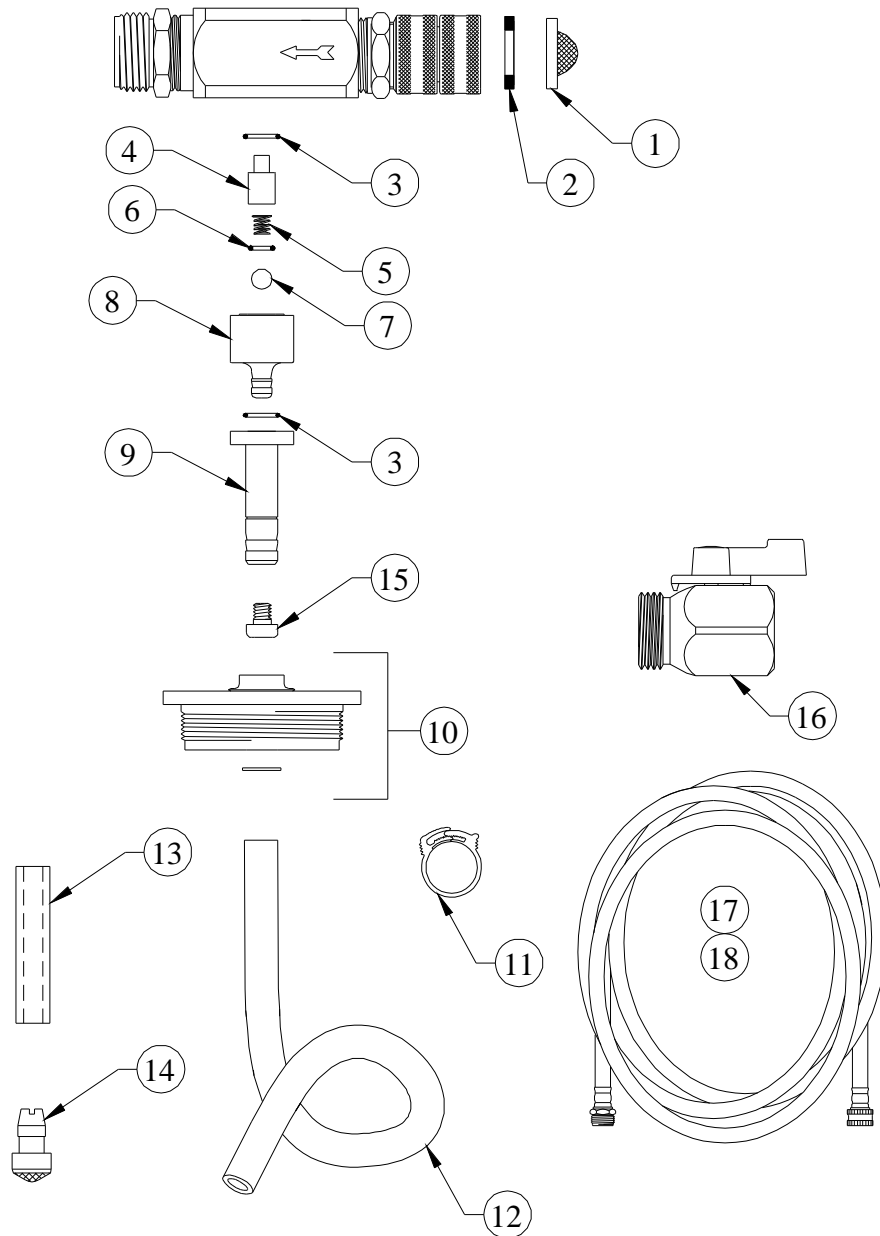
### INSTALLATION INSTRUCTIONS



# DEMA MODEL 162HDM-2

## DRUM MOUNT INJECTOR

### INSTALLATION INSTRUCTIONS



NO.	PART NO.	DESCRIPTION
1	100-38	Strainer Washer
2	150-6	Rubber Washer
3	25-29	O-Ring
4	23-34-1	Core
5	24-23	Spring
6	24-25	O-Ring
7	24-24S	1/4" Ball
8	24-32T	Metering Knob
9	44-65	Drum Nipple Assy.
10	16-7	Bung Cap & Retainer Ring
11	16-9-2	Tubing Clamp, Plastic

NO.	PART NO.	DESCRIPTION
12	100-12L-3	3/8" I.D. X 4 Foot Vinyl Tubing
13	61-107	Ceramic Weight – 1/2" I.D.
14	24-11L	Foot Strainer – S.S.

#### ACCESSORIES

NO.	PART NO.	DESCRIPTION
15	61-9K	Metering Tip Kit (13 Sizes)
16	90-15	Ball Valve – GHT
17	44-3	Rubber Hose, 1/2" I.D. X 25 FT.
18	44-3-6	Rubber Hose, 1/2" I.D. X 6 FT.