

DEMA SPRAY CLEAN



MODELS: 244BC, 244BCE, 244BCP & 244BCT

INSTALLATION INSTRUCTIONS

I. PARTS:

- A. Injector.
- B. Spray gun.
- C. Mounting screws and washers.
- D. Vinyl supply tubing, foot strainer & ceramic weight.
- E. Metering tip (specified size, model 244BCT only).

II. INSTALLATION: (See figure 1)

This product is designed only to be used as described in this instruction sheet. Adhere to all warnings and cautions identified in this document.	
	<p>WARNING: Installations must conform to all local and national plumbing codes and use approved backflow prevention and pressure relief devices where required.</p> <p>ALWAYS DISCONNECT DISPENSER FROM WATER SOURCE WHEN DISPENSER IS NOT IN USE.</p>
	Always read SDS for all chemicals used and follow personal protective guidelines.

A. INJECTOR:

Inlet fits 1/2" NPT water line (except 244BCE). Water temperature should not exceed 150°F and pressure should not exceed 125 PSI. If an inlet hose is used, a pipe-to-garden hose adapter is available (DEMA accessory part #44-5). The injector may be mounted in any position, but the arrow must point in the direction of flow. If mounting is insecure, use enclosed mounting screws for attaching to a wall, inserting the washers between the wall and injector to provide easy attachment of outlet hose.

B. SPRAY GUN:

Connect spray gun to the injector's outlet using a high pressure garden hose (Dema part no. 44-3, 25 ft. x 1/2" hose). Total hose length must not exceed values shown in Table 1. (Dema hose bracket part no. 44-4S is available as an accessory for hose lengths up to 50 ft.)

TABLE 1

Hose, I.D.	3/8"	1/2"	5/8"	3/4"
Max. Length:	15 ft.	50 ft.	100 ft.	250 ft.

C. LIQUID DETERGENT OR SANITIZER CONTAINER:

Detergent may be drawn directly from any size container, which usually is set on the floor. Use enclosed plastic tubing for connecting to injector, first cutting to desired length and dropping the end with the foot strainer and ceramic weight into the container. Push other end over supply tubing fitting (See figure 2).

DEMA SPRAY CLEAN

MODELS: 244BC, 244BCE, 244BCP & 244BCT

INSTALLATION INSTRUCTIONS

III. OPERATION:

WASH or RINSE is controlled by the slide (see Figure 2). For “wash,” the slide must be in the up position. Push the slide down for “rinse.”

WASH: With the slide in the “wash” position, turn on water and squeeze the spray gun lever fully open. The detergent or sanitizer is drawn into the water stream.

RINSE: With the slide in the “rinse” position, the spray gun lever may be squeezed to any desired position.

When the Spray Clean is not in use, shut off the inlet valve and open the gun to relieve the high pressure in the hose.

IV. ADJUSTMENT: (See figure 2)

WARNING: Use care when handling hazardous chemicals.

A. Models 244BC, 244BCE & 244BCP:

Turn the small recessed screw to adjust the injection rate. Four turns counterclockwise provides the maximum. Table 2 shows the maximum injection rates in ounces of product per gallon of water obtainable for various fluid viscosities.

B. Model 244BCT:

Chemical feed rate is controlled by a metering tip screwed into the supply tubing fitting. Select a tip using Table 3 as guide.

TABLE 2

Viscosity, cps	1	75	220	500
Oz/Gal (maximum)	11.10	3.60	1.50	0.69

DEMA SPRAY CLEAN
MODELS: 244BC, 244BCE, 244BCP & 244BCT
INSTALLATION INSTRUCTIONS

TABLE 3

Metering Tip Color	Injection Rates For Viscosities Shown							
	1 cps		75 cps		200 cps		500 cps	
	Oz/Gal	Ratio	Oz/Gal	Ratio	Oz/Gal	Ratio	Oz/Gal	Ratio
Tan	0.35	366-1	0.25	512-1	0.22	585-1	0.08	1600-1
Orange	0.50	256-1	0.38	337-1	0.30	427-1	0.12	1067-1
Turquoise	0.70	183-1	0.50	256-1	0.40	320-1	0.19	674-1
Pink	1.00	128-1	0.70	183-1	0.54	237-1	0.24	533-1
Clear	1.25	102-1	0.90	142-1	0.67	191-1	0.50	256-1
Brown	1.40	91-1	1.00	128-1	0.75	171-1	0.51	251-1
Red	1.75	73-1	1.25	102-1	0.88	145-1	0.53	242-1
White	2.20	58-1	1.50	85-1	0.98	131-1	0.54	237-1
Green	2.50	51-1	1.60	80-1	1.05	122-1	0.56	229-1
Blue	3.10	41-1	2.00	64-1	1.15	111-1	0.57	225-1
Yellow	4.70	27-1	2.40	53-1	1.25	102-1	0.60	213-1
Black	5.90	22-1	2.70	47-1	1.32	97-1	0.63	203-1
Purple	8.50	15-1	3.00	43-1	1.36	94-1	0.64	200-1
Gray	9.75	13-1	3.20	40-1	1.38	93-1	0.65	197-1
No Tip	11.10	12-1	3.60	36-1	1.50	85-1	0.69	186-1

Note: Injection rates shown are derived from a 40 psi flow rate using 25 ft. of 1/2" ID Hose and a 40-8B spray gun.

DEMA SPRAY CLEAN

MODELS: 244BC, 244BCE, 244BCP & 244BCT

INSTALLATION INSTRUCTIONS

V. SERVICING:

A. If unit fails to operate:

1. Is the hose too long? See table 1 for maximum lengths.
2. Is the injector installed with the arrow in the direction of water flow?
3. Is the hose kinked or otherwise obstructed?
4. Is the metering screw backed off? (Models 244BC, 244BCE & 244BCP)

B. If unit stops operating:

1. Check item 3 above.
2. Is the foot strainer clogged? Lift tube from drum and clean.
3. Is the check valve clogged? Remove knob screws to disassemble. Inspect and clean ball, spring and o-ring.

CAUTION: When servicing unit be sure that replacement parts have been installed according to the drawing.

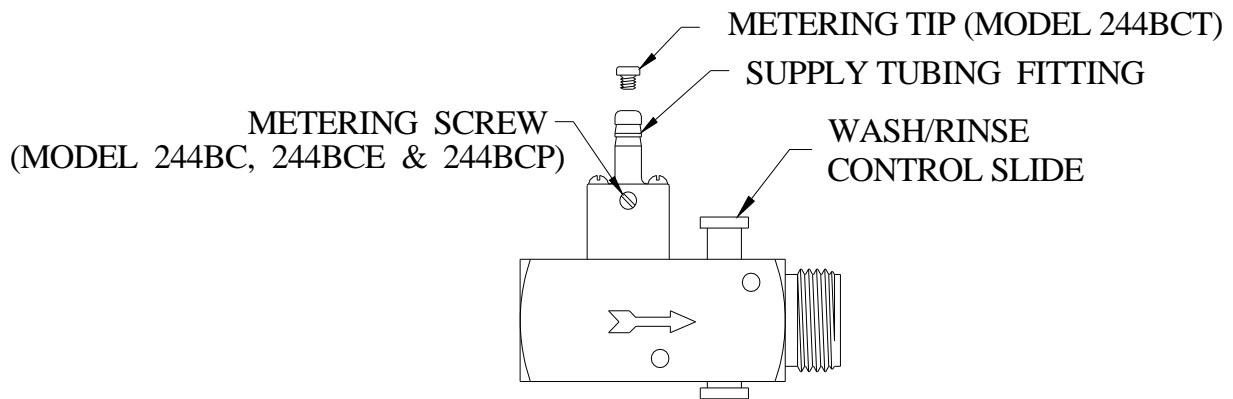
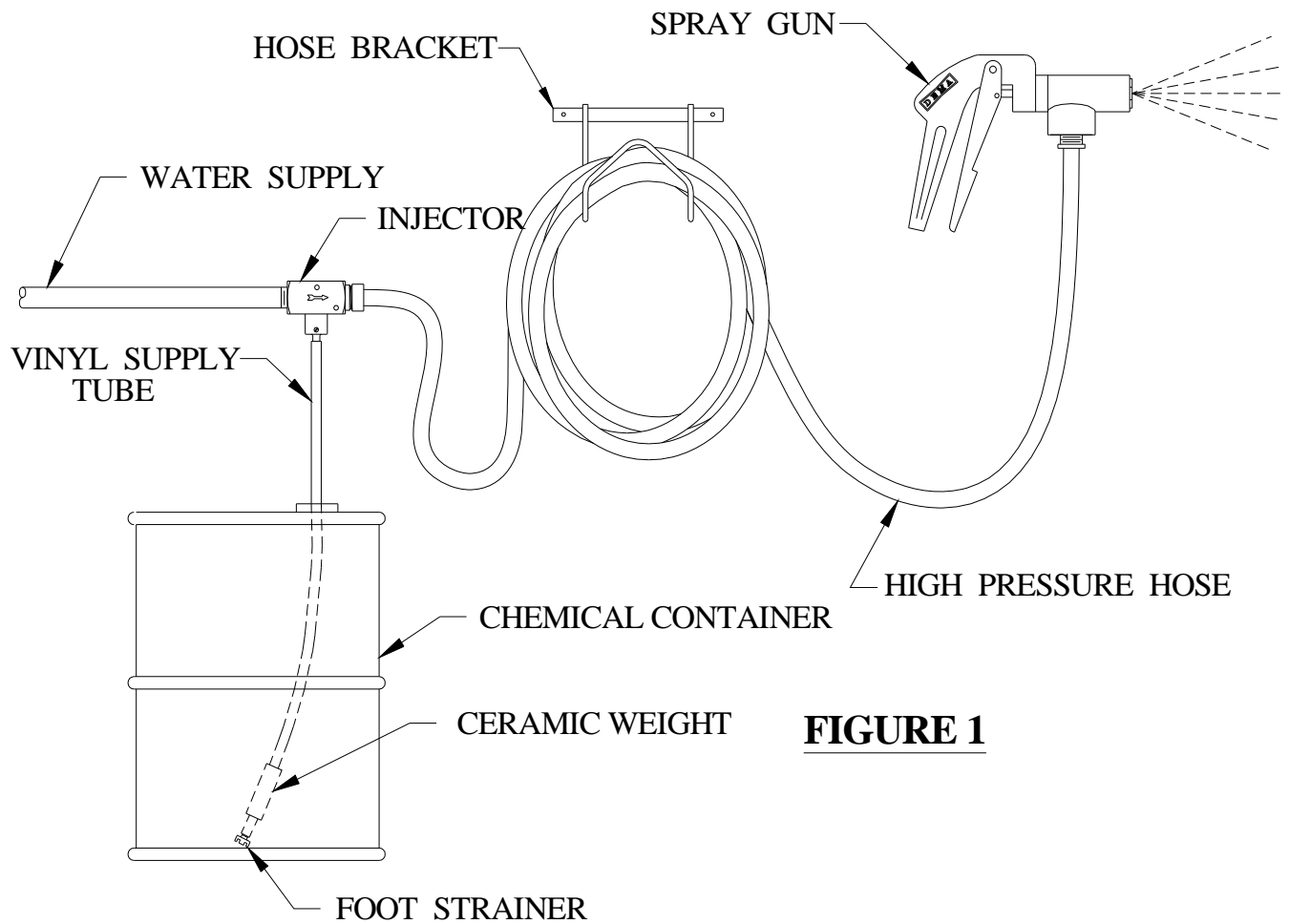
RETURNS:

NO MERCHANDISE MAY BE RETURNED FOR CREDIT WITHOUT DEMA'S WRITTEN PERMISSION. RETURN MERCHANDISE AUTHORIZATION NUMBER REQUIRED IN ADVANCE OF RETURN.

WARRANTY: DEMA products are warranted against defective material and workmanship under normal use and service for one year from the date of manufacture. This limited warranty does not apply to any products which have a normal life shorter than one year or failure and damage caused by chemicals, corrosion, improper voltage supply, physical abuse, or misapplication. Rubber and synthetic rubber parts such as "o"-rings, diaphragms, squeeze tubing and gaskets are considered expendable and are not covered under warranty. This warranty is extended only to the original buyer of DEMA products. If products are altered or repaired without prior approval of DEMA, this warranty will be void.

Defective units or parts should be returned to the factory with transportation prepaid. If inspection shows them to be defective, they will be repaired or replaced without charge, F.O.B. factory. DEMA assumes no liability for damages. Return merchandise authorization number, to return units for repair or replacement, must be granted in advance of return.

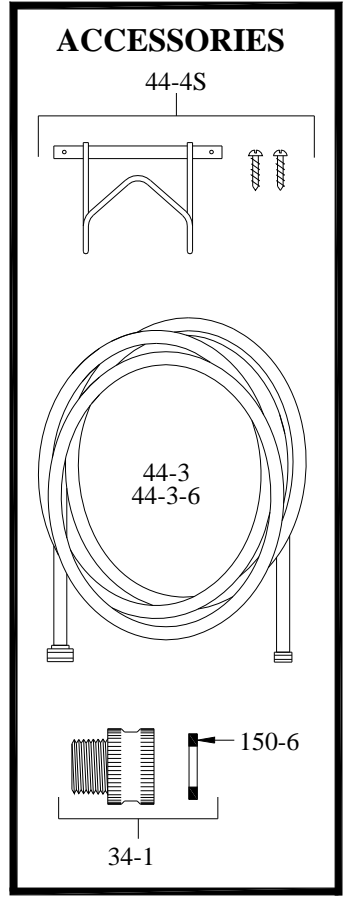
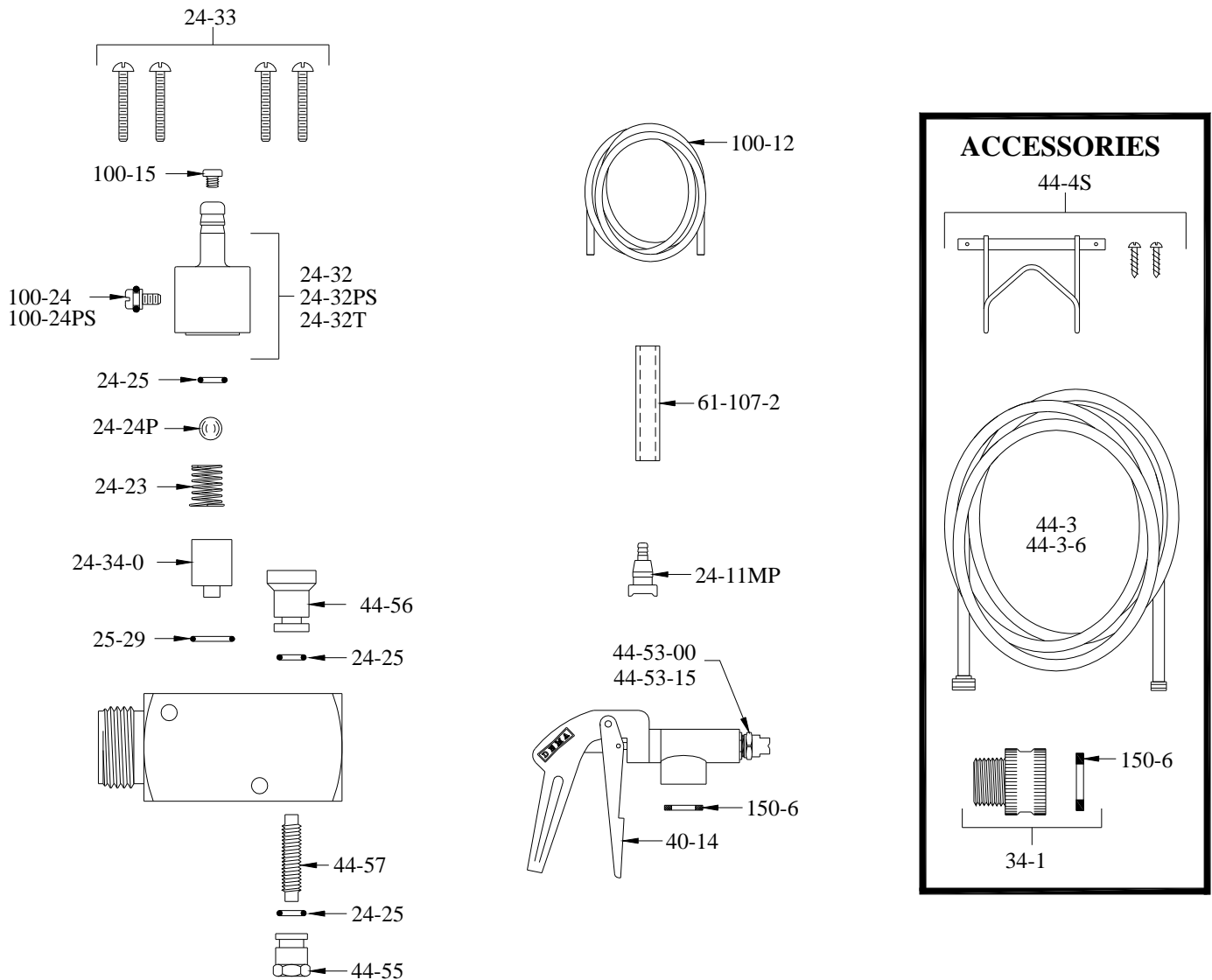
DEMA SPRAY CLEAN
MODELS: 244BC, 244BCE, 244BCP & 244BCT
INSTALLATION INSTRUCTIONS



DEMA SPRAY CLEAN

MODELS: 244BC, 244BCE, 244BCP & 244BCT

INSTALLATION INSTRUCTIONS



PART NO.	DESCRIPTION
24-11MP	FOOT STRAINER
24-23	CHECK VALVE SPRING
24-24P	CHECK VALVE BALL
24-25	CHECK VALVE O-RING
24-32	METERING KNOB ASSEMBLY (MODEL 244C,CE)
24-32PS	METERING KNOB ASSEMBLY (MODEL 244CP)
24-32T	METERING KNOB ASSEMBLY (MODEL 244CT)
24-33	SCREW - 4 REQ'D.
24-34-0	CHECK VALVE CORE
25-29	METERING KNOB O-RING
40-14	SPRAY GUN
44-53-00	SPRAY NOZZLE (0°) 4 GPM
44-53-15	SPRAY NOZZLE (15°) 4 GPM
44-55	BY-PASS VALVE (BOTTOM)

PART NO.	DESCRIPTION
44-56	BY-PASS VALVE (TOP)
44-57	CONNECTING STUD
61-107-2	CERAMIC WEIGHT
100-12	8 FEET OF 7/32" I.D. PVC TUBING
100-15	METERING TIP-SPECIFY SIZE (MODEL 244BCT)
100-24	METERING SCREW W/ O-RING (MODEL 244BCE)
100-24PS	METERING SCREW W/ O-RING (MODEL 244BCP)
150-6	RUBBER WASHER

ACCESSORIES	
34-1	PIPE TO HOSE INLET ADAPTER W/WASHER
44-3	25 FEET OF 1/2" HIGH PRESSURE HOSE
44-3-6	6 FEET OF 1/2" HIGH PRESSURE HOSE
44-3RG	25' X 1/2" RED HOSE W/POLY GUARDS
44-4S	HOSE BRACKET W/ MOUNTING SCREWS