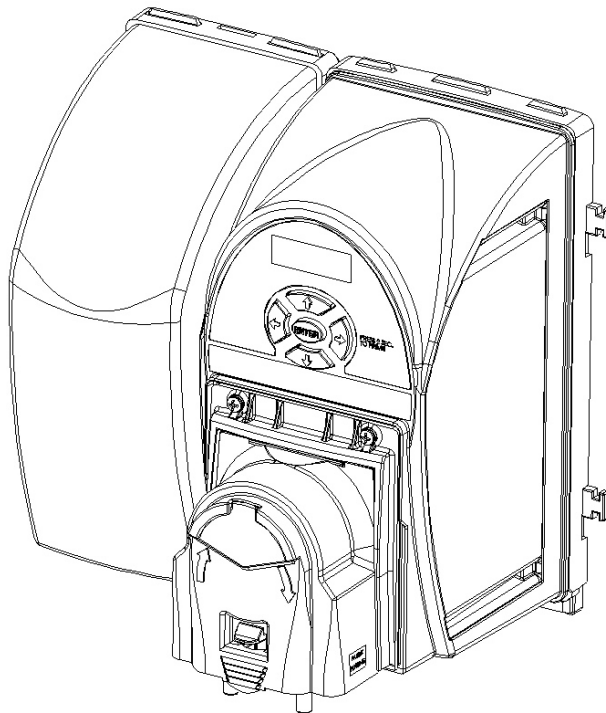


Trapper

Drain Maintenance/Odor Control Chemical Dispensing



Overview

The DEMA® Trapper is a digital chemical dispenser that is designed to deliver chemicals for both drain and odor control. The system will operate from wall or battery power.

Warnings



Installation of DEMA products must meet all applicable electrical codes and regulations established by national, city, county, parish, provincial or other agencies. It is possible that electrical codes and regulations require that a certified electrical contractor or engineer perform the electrical installation. For questions, contact a certified electrician.



All installations must conform to local plumbing codes and use approved backflow prevention devices. A pressure indicating tee is to be installed with existing faucets according to local plumbing codes in the state of Wisconsin and any other state that requires the use of a pressure indicating tee.



ALWAYS WEAR PROTECTIVE CLOTHING AND EYEWEAR WHEN WORKING WITH CHEMICAL PRODUCTS.

Trapper Models

Trapper can be ordered with the following configurations:

- Drain or Odor Control
- AC wall power (115/230VAC) or Battery Power
- Three different squeeze tube choices

2507B.E

Squeeze Tube

E = EPDM Squeeze Tube

P = Supertube (PVC Squeeze Tube)

V = Viton Squeeze Tube

Base System

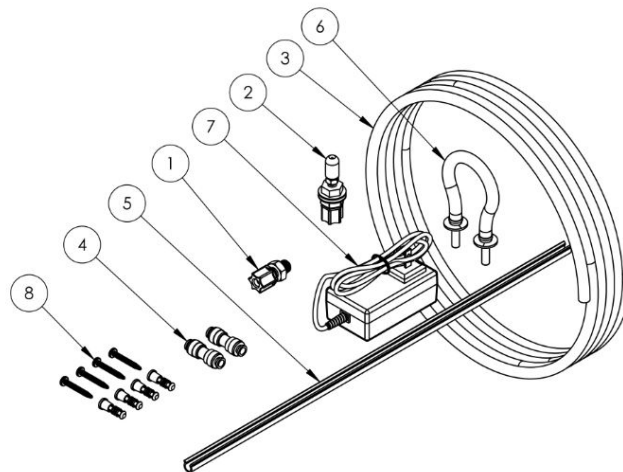
2507A = Trapper - w/115VAC Wall Transformer

2507B = Trapper - Battery Operated

2508A = Trapper OC - w/115VAC (Odor Control)

2508B = Trapper OC - Battery Operated (Odor Control)

Packing Kit List



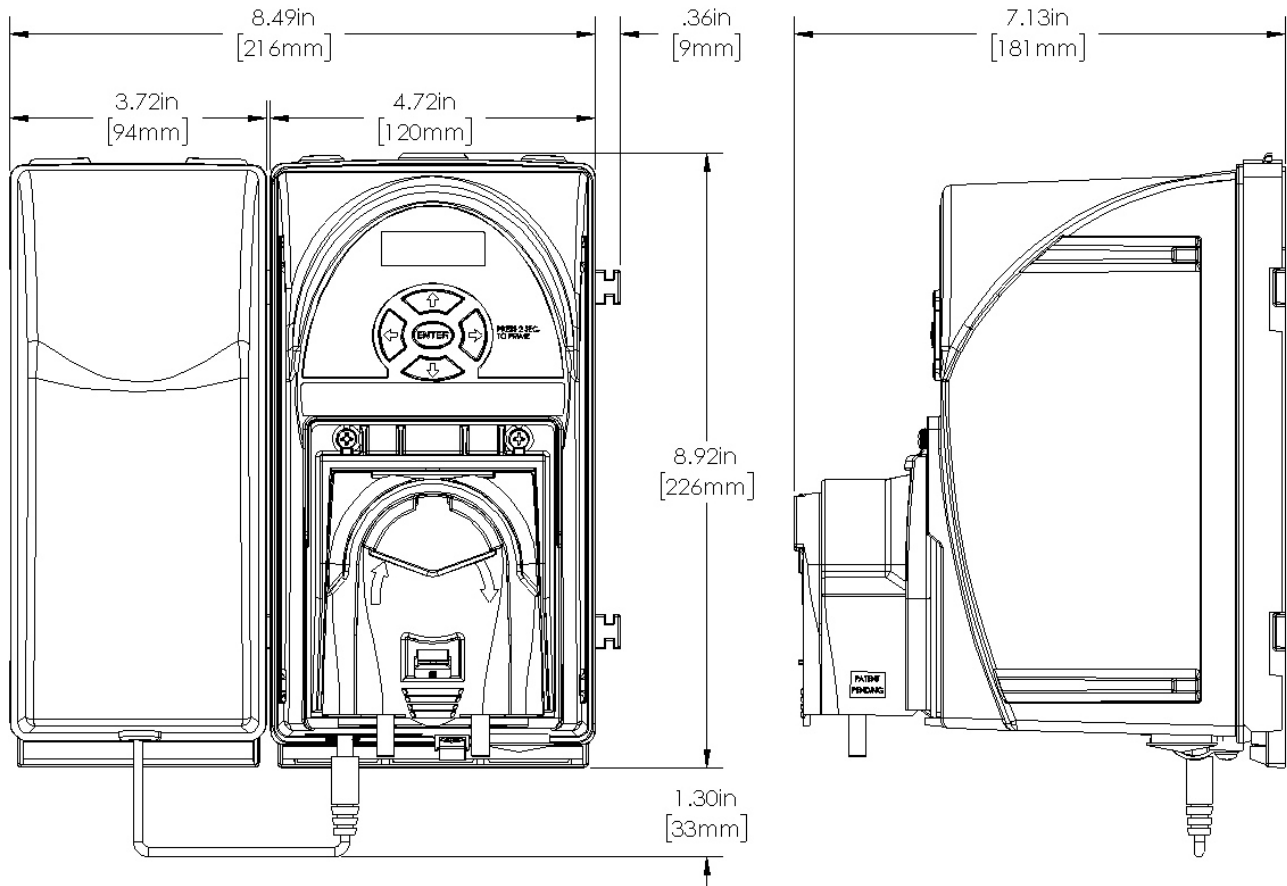
Installation and Accessory Parts for Drain Applications				
No	Part No.	Description	Trapper (Drain)	Trapper OC
1	25-235-1	Compression Fitting (Drain system)	1	-
2	25-215	Spray Nozzle (Deodorizing system)	-	1
3	25-68-20	1/4" LDPE Tubing 20 feet	1	1
4	84-183-1	1/4 x 1/4 QC Union Fitting Kit (2 unions)	1	1
5	81-312-1	Tube Stiffener	1	1
6	81-177-1	Squeeze Tube EPDM	1*	1*
	81-177-5	Squeeze Tube Viton	1*	1*
	81-177-10	Squeeze Tube PVC	1*	1*
7	25-236-01	AC Adapter U.S.A. 120 Volt	1*	1*
	25-236-02	AC Adapter International 120-240 Volt	1*	1*
8	66-123	#8 Screw & Anchor Kit (4 pack)	1**	1**

* Specific squeeze tube and AC adapter are determined by model ordered.
 ** Battery models are supplied with two anchor screw kits.

Operational Requirements

FOR INDOOR USE ONLY		
Main Power	12 VDC - 2.0A min from 8 x D-cell batteries or 115 VAC or 100-240 VAC wall adapters	
Motor/Solenoid Rating	12VDC - 1.25A max.	
Pump Rate	14 oz/min (420 ml/min)	
Enclosure Material	ABS	
Shipping Wt. (AC)	2.3 kg	5.0 lbs.
Shipping Wt. (Battery)	2.8 kg	6.1 lbs.
Installed Wt. (AC)	1.3 kg	2.7 lbs.
(w/ batteries) *	1.6 kg	3.4 lbs.
* Batteries supplied by user or installer.		

Overall Size



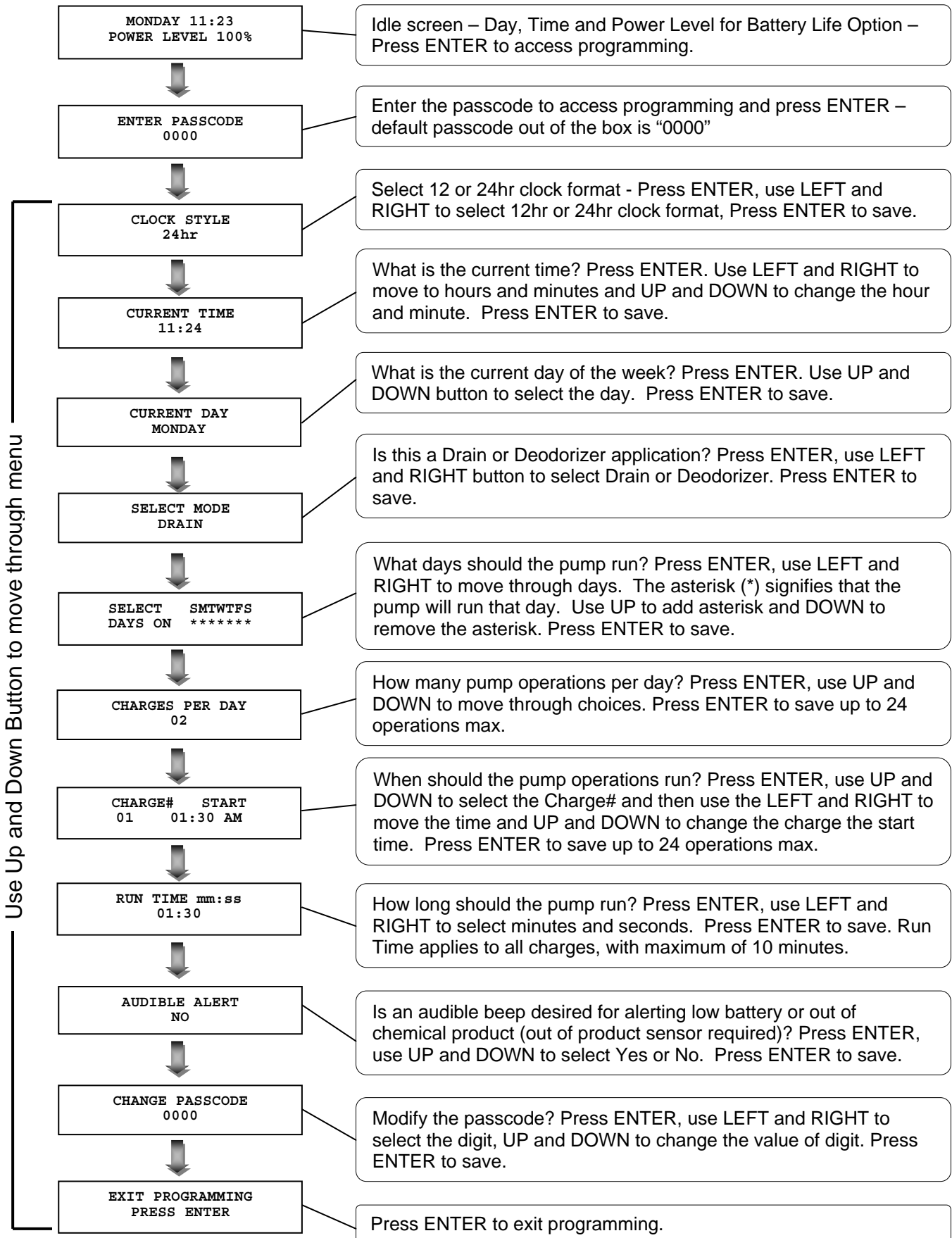
Installation



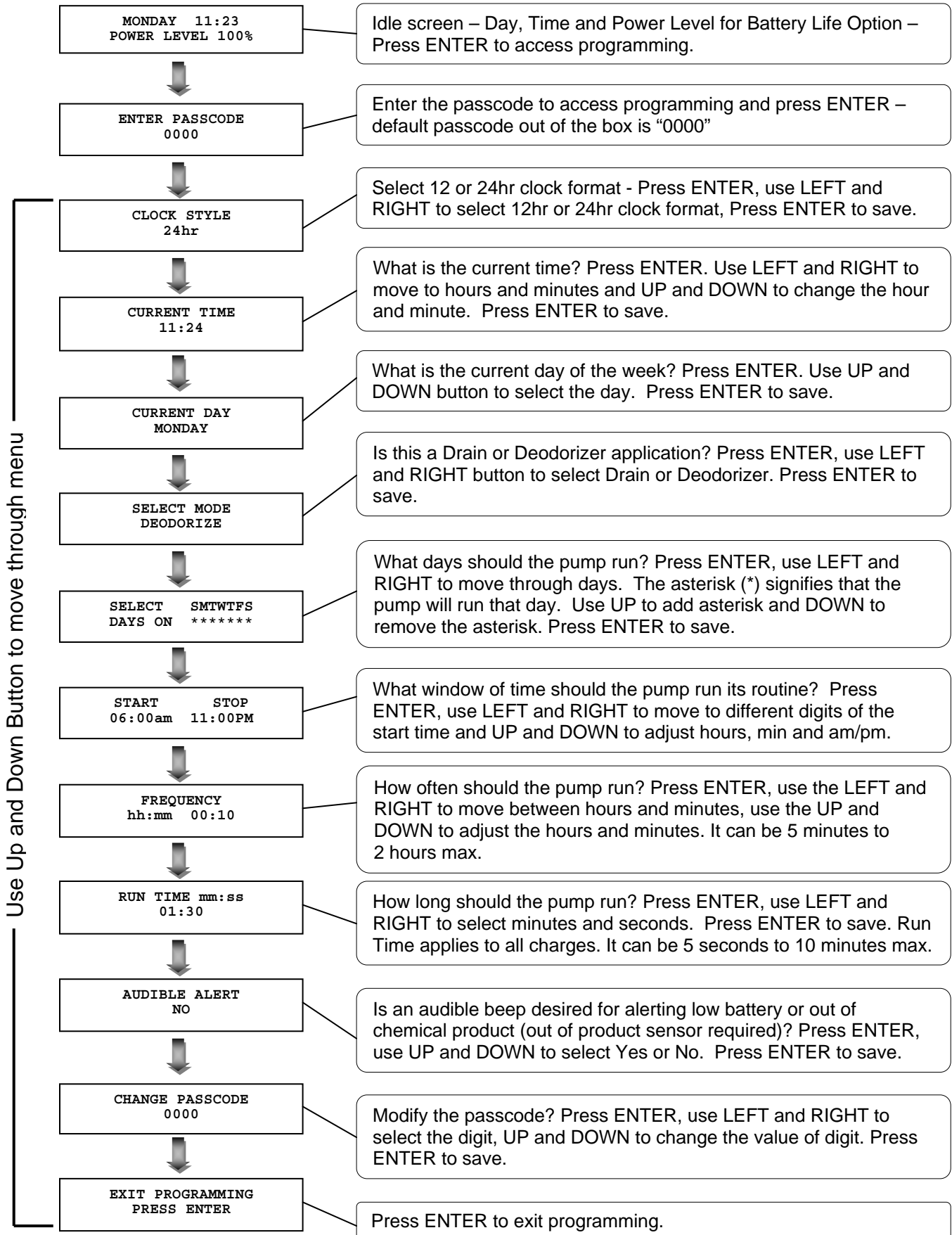
WARNING: INSTALLATION OF DEMA PRODUCTS MUST MEET ALL APPLICABLE ELECTRICAL CODES AND REGULATIONS ESTABLISHED BY NATIONAL, CITY, COUNTY, PARISH, PROVINCIAL OR OTHER AGENCIES. IT IS POSSIBLE THAT ELECTRICAL CODES AND REGULATIONS REQUIRE THAT A CERTIFIED ELECTRICAL CONTRACTOR OR ENGINEER PERFORM THE ELECTRICAL INSTALLATION. FOR QUESTIONS, CONTACT A CERTIFIED ELECTRICIAN.

1. Determine a suitable location to mount Trapper. The following should be considered:
 - a. tubing going to and from the pump
 - b. chemical location
 - c. drain pipe injection point
 - d. Electrical wall outlet when using the plug in AC version.
2. Attach the mounting bracket (included) for the Trapper using appropriate screws and wall anchors.
 - a. When using the battery operated version, mount the battery enclosure mounting bracket next to the Trapper mounting bracket. The Trapper and battery mounting brackets can be meshed together to create a single mounting bracket installation.
3. If using a battery version, install 8 “D” cell heavy duty batteries in the battery holder.
4. Mount the Trapper pump and battery enclosures on the mounting bracket.
5. Install injection fitting (drain application) or spray nozzle (deodorizing application).
 - a. Drain Application: Install the ¼” compression fitting to the desired drain pipe.
 - i. Note: Alternative saddle or pipe fittings can be used; Trapper is setup to use ¼” LDPE tubing.
 - b. Deodorizing Application: Install the spray nozzle so that it will mist over the desired area to be treated.
6. Install the ¼” LDPE tubing from the chemical to the pump and from the pump to the drain pipe fitting or spray nozzle fitting.
 - a. Note: The Trapper pump is setup with ¼” push on fittings for easy connection.
7. Apply power to the Trapper by plugging the 115/230VAC wall power plug or the battery module to the round electrical power connector on the bottom of the Trapper.
 - a. There is a plastic clip near the power connector to retain the power cable to secure the power line from coming disconnected.
8. Program the Trapper (see programming section in this instruction manual).
9. Prime the pump.
 - a. Press any button 1 time to wake up the control.
 - b. With the display on, press and hold the right arrow for 2 seconds to start prime.
 - c. Press again to stop prime.

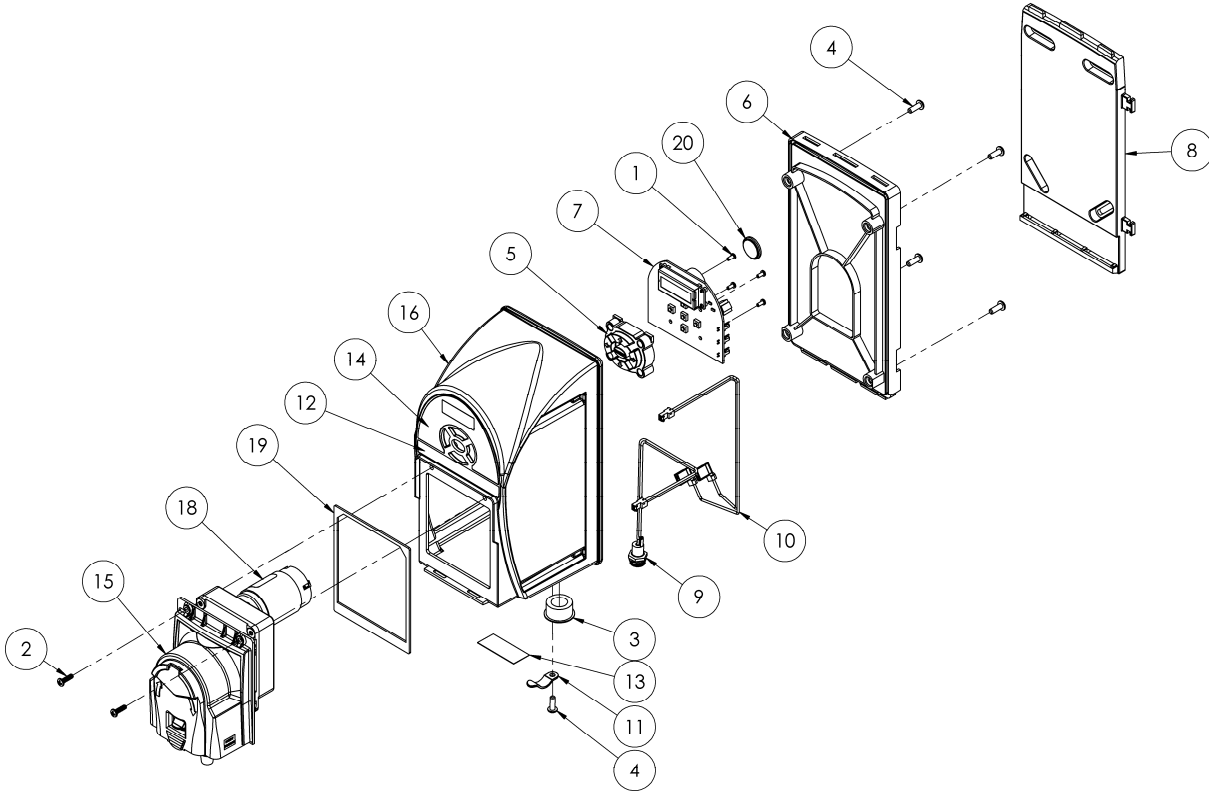
Programming for Drain Application



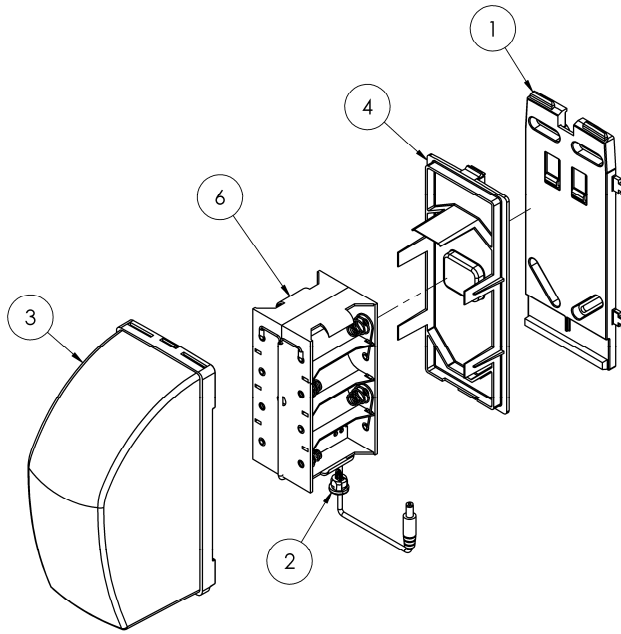
Programming for Deodorizing Application



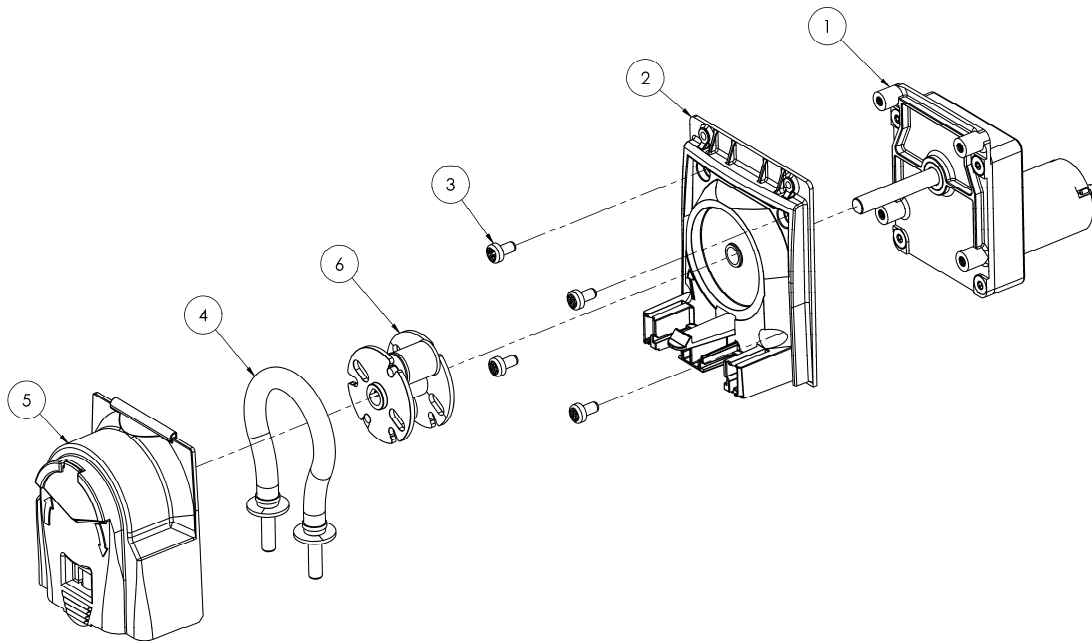
Replacement Parts and Reference Information



Pump/Control Module Replacement Parts			
Item No.	DEMA P/N	Description	QTY.
1	81-20-1	#4 x 1/4" Stainless Steel Screw	4
2	41-40-2	#6-32 x 1/2 Stainless Steel Screw	2
3	81-47-4	7/8" Hole Plug	1
4	44-116-1	#8 x 1/2" Stainless Steel Screw	5
5	81-147-1	5-Button Rubber Keypad	1
6	25-228-1	Pump Housing - Rear	1
7	25-231-1	Trapper Control Board	1
8	25-227-1	Pump Mounting Bracket	1
9	25-252-1	Power Inlet, DC	1
10	25-253-1	Power Cable, Motor	1
11	25-232-1	Retainer Spring Clip - Nylon	1
12	L1733-1	Label, Banner	1
13	L1710-1	Rating Label	1
14	L1719-1	Upper Label - Control	1
15	SEE TABLE	Pump Assembly (without motor)	1
16	25-229-1	Pump Housing - Front	1
17	81-16-1	Tie Wrap (not shown)	3
18	80-59-102MK-12V	Gear motor	1
19	81-159-1	Gasket	1
20	80.99	Battery	1



Battery Enclosure Replacement Parts			
ITEM NO.	DEMA NO.	DESCRIPTION	QTY.
1	25-222-1	Battery Box Mounting Bracket	1
2	81-183-7	Cable Strain Relief	1
3	25-224	Battery Housing - Front	1
4	25-223-1	Battery Housing - Rear	1
5	81-16-1	Cable Tie	2
6	25-251-1	Battery Holder w/ DC Plug - 8 D-cell	1
25.221.1 – Battery Holder Kit – includes all components listed above (batteries not included)			



Pump Replacement Parts			
Item No.	DEMA No.	Description	QTY.
1	80.59.102MK.12V	Gear motor	1
2	81.128.2	Pump Base	1
3	25.85.2	#10-32 x 1/2" Stainless Steel Screw	1
4a	81.177.1	Squeeze Tube Assembly - EPDM	1
4b	81.177.5	Squeeze Tube Assembly - Viton	1
4c	81.177.10	Squeeze Tube Assembly - Supertube	1
5	81.174.1	Pump Cover	2
6	81.172.3	2-Roller Block Assembly - Fixed	1

Warranty

Merchandise Returns

No Merchandise will be Returned for Credit Without DEMA'S Written Permission. Returned Merchandise Authorization Number is Required in Advance of Return.

Product Warranty

DEMA products are warranted against defective material and workmanship under normal use and service for one year from the date of manufacture. This limited warranty does not apply to any products that have a normal life shorter than one year or failure and damage caused by chemicals, corrosion, physical abuse, or misapplication. Rubber and synthetic rubber parts such as "O"-rings, diaphragms, PVC tubing, and gaskets are considered expendable and are not covered under warranty. This warranty is extended only to the original buyer of DEMA products. If products are altered or repaired without prior approval of DEMA, this warranty is void.

Defective units or parts should be returned to the factory with transportation prepaid. If inspection shows them to be defective, they will be repaired or replaced without charge, F.O.B. factory. DEMA assumes no liability for damages. Return merchandise authorization number must be granted in advance of returned units for repair or replacement (See "Merchandise Returns" above).