

# KITCHEN & FOOD SERVICE SOLUTIONS: DRAIN & ODOR CONTROL

## Advanced drain & odor control dispensing

The newest addition in the trusted Drain Chief line, introducing Trapper! The Trapper combines all the required features of our existing drain and odor control products with advanced, yet easy to use features such as a digital programming display, multiple chemical pump options. Quick change pumps and a quick service battery pack with low battery alerts. Trapper is easily adaptable for odor suppression and deodorizing needs, with a quick programming change and a part swap.

### Applications Include:

- ◆ Grease traps
- ◆ Drain maintenance
- ◆ Odor control
- ◆ Dumpster
- ◆ Trash chutes
- ◆ Food service
- ◆ Lodging
- ◆ Food processing
- ◆ Lift stations

### Features & Benefits

- ◆ Common sense, easy to understand and digital programming
- ◆ 24/7 battery monitor with low battery warning
- ◆ Water resistant components for under counter and low wall installations
- ◆ "Plug-n-go" electrical hookup for quick and easy connect/disconnect
- ◆ Tool less quick change pump
- ◆ Fast snap mounting bracket to quickly remove/reattach unit from wall for preventative maintenance
- ◆ Easy switch between odor suppression & drain maintenance modes through simple programming
- ◆ Odor suppression mode uses a brass nozzle with configurable spray pattern for stream to mist adjustments, becoming Trapper OC



*DC Model Shown*

# TRAPPER

## Trapper Spray Version Available

- Odor Control for Trash chutes and Dumpsters
- Squeeze tubes available; EPDM Supertube (PVC) and Viton



Battery Connection

## Fittings Available

- Plastic Compression fitting for simple drain pipe connection
- Brass spray nozzle for odor control - Adjustable stream to mist; Can be bulkhead/bracket mounted



Brass Spray nozzle  
25.215

\* Available with  
Trapper OC only



Plastic Compression fitting  
25.235.1

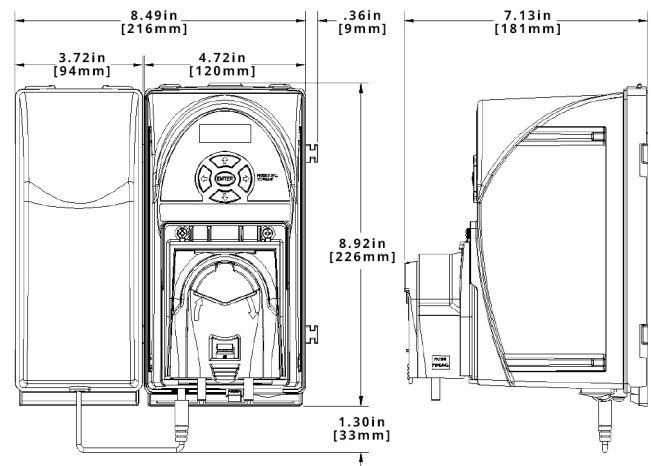
\* Available with  
Trapper only

## Trapper Models:

Trapper can be ordered with the following configurations:

- Drain or Odor Control
- AC wall power (115/230VAC) or Battery Power
- Three different squeeze tube choices

## Overall Size:



## ORDERING INFO

### 2507B.E

#### Base System

- 2507A = Trapper - w/115VAC Wall Transformer
- 2507B = Trapper - Battery Operated
- 2508A = Trapper OC - w/115VAC (Odor Control)

#### Squeeze Tube

- E = EPDM Squeeze Tube
- P = Supertube (PVC Squeeze Tube)
- V = Viton Squeeze Tube

## SPECIFICATIONS

Main Power	12 VDC - 2.0A min from 8 x D-cell batteries or 115 VAC or 100-240 VAC wall adapters	
Motor/Solenoid Rating	12 VDC - 1.25A max.	
Enclosure Material	ABS	
Shipping Wt. (AC)	5.0 lbs	2.3 kg
Shipping Wt. (Battery)	6.1 lbs	2.8 kg
Installed Wt. (AC)	2.7 lbs	1.3 kg
(w/ batteries) *	3.4 lbs	1.6 kg

\* Batteries supplied by user or installer.

## DEMA Engineering Company



# TRAPPER



10020 Big Bend Blvd.  
St. Louis, MO 63122 U.S.A  
Tel: 1-800-325-3362  
Fax: 314-965-8319



[www.demaeng.com](http://www.demaeng.com)



[sales@demaeng.com](mailto:sales@demaeng.com)